

COUNTERTOP COOKING EQUIPMENT



Countertop Charbroilers
Countertop Radiant Broilers
Manual Griddles
Thermostatic Griddles
Countertop Range (Hot Plates)
Single & Double Stock Pot Stoves

Countertop Charbroilers

Standard Features

- Stainless steel exterior and interior
- 35,000 BTU stainless steel burners with standby pilot
- Independent manual controls every 12”
- Heavy-duty, reversible cast iron grates
- Top grates are adjustable multi-level
- Units include lava briquettes standard
- Adjustable, stainless steel legs standard
- 3/4” NPT rear gas connection and regulator standard

MODELS:

ATCB-24 / ATCB-36 / ATCB-48

ATCB-24



ATCB-36



ATCB-48



1 YR WARRANTY ON ALL PARTS AND LABOR (US ONLY)



Conforms to ANSI
STD Z83.110-2009 (2011)
Certified to CSA
STD 1.8B-2009 (2011)
Conforms to NSF/ANSI STD.4



SPECIFICATIONS

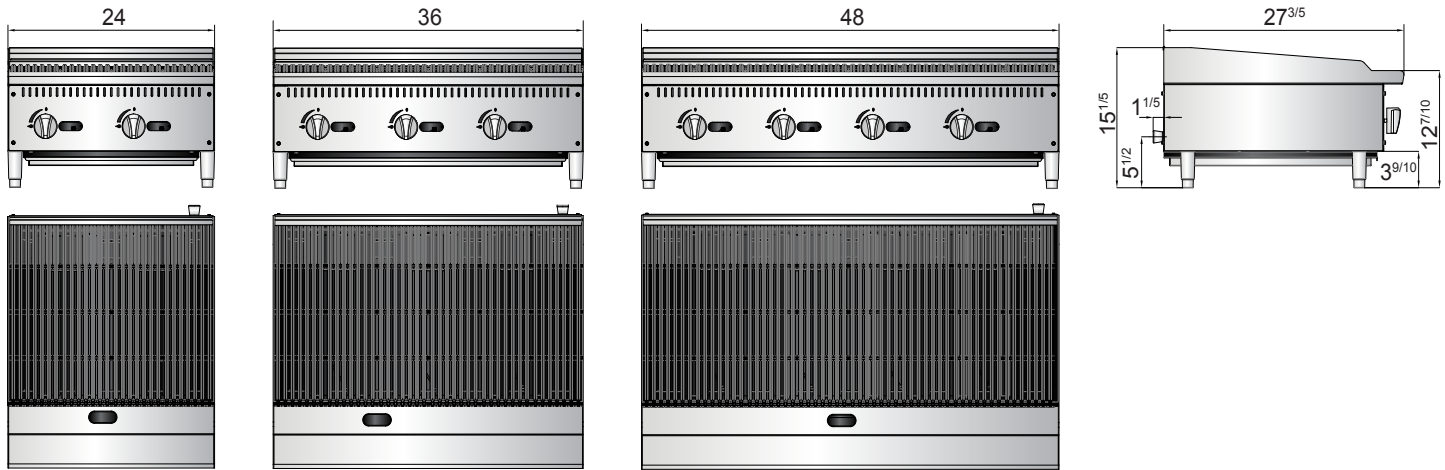
Models	Burners and Control Method	Gas Type	Intake-tube Presssure (in. W.C.)	Per BTU B.T.U./h	Total BTU B.T.U./h	Regulator	Work Area (inch)	Exterior Dimensions (inch)	Net Weight (lbs)	Gross Weight (lbs)
ATCB-24	2 Burners, Independent Manual Control	NG	4	35,000	70,000	4” w.c.	23 ^{9/10} × 20 ^{1/5}	24 × 27 ^{3/5} × 15 ^{1/5}	137	168
ATCB-36	3 Burners, Independent Manual Control	NG	4	35,000	105,000	4” w.c.	35 ^{7/10} × 20 ^{1/5}	36 × 27 ^{3/5} × 15 ^{1/5}	191	238
ATCB-48	4 Burners, Independent Manual Control	NG	4	35,000	140,000	4” w.c.	47 ^{9/10} × 20 ^{1/5}	48 × 27 ^{3/5} × 15 ^{1/5}	248	314

PLAN VIEW

ATCB-24

ATCB-36

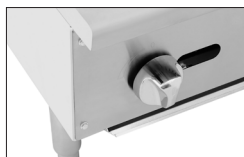
ATCB-48



Cast iron grates

Stainless steel knobs

Dripping hole



Countertop Radiant Broilers

Standard Features

- Stainless steel exterior and interior
- 35,000 BTU stainless steel burners with standby pilot
- Independent manual controls every 12”
- Heavy-duty, reversible cast iron grates
- Top grates are adjustable multi-level
- Adjustable, stainless steel legs standard
- 3/4” NPT rear gas connection and regulator standard

MODELS:

ATRC-24 / ATRC-36 / ATRC-48

ATRC-24



ATRC-36



ATRC-48



1 YR WARRANTY ON ALL PARTS AND LABOR (US ONLY)



Conforms to ANSI
STD Z83.110-2009 (2011)
Certified to CSA
STD 1.8B-2009 (2011)
Conforms to NSF/ANSI STD.4



SPECIFICATIONS

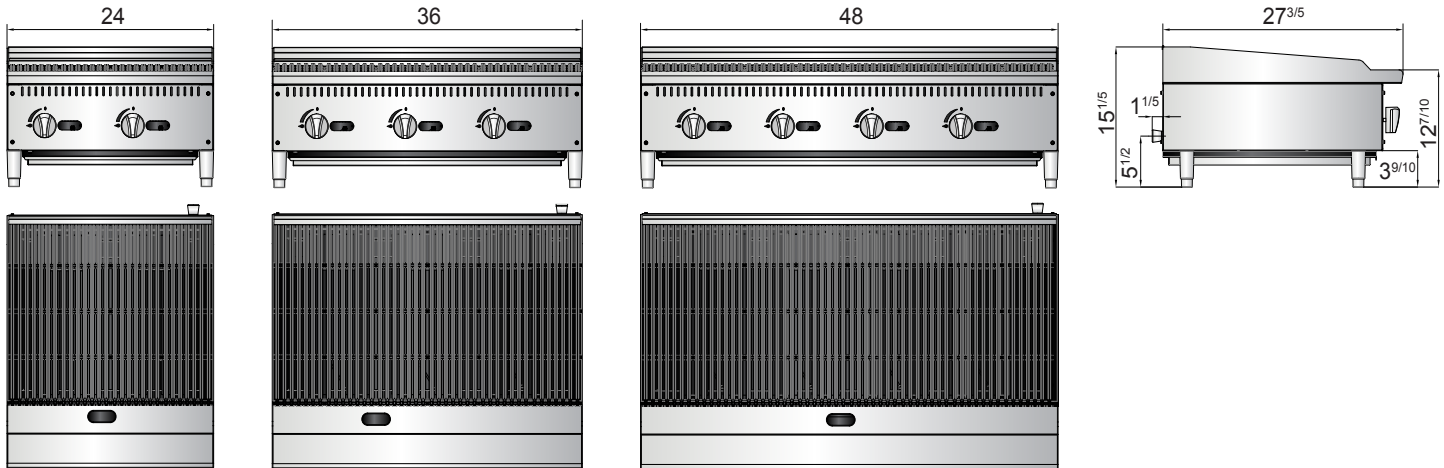
Models	Burners and Control Method	Gas Type	Intake-tube Pressure (in. W.C.)	Per BTU B.T.U./h	Total BTU B.T.U./h	Regulator	Work Area (inch)	Exterior Dimensions (inch)	Net Weight (lbs)	Gross Weight (lbs)
ATRC-24	2 Burners, Independent Manual Control	NG	4	35,000	70,000	4" w.c.	23 ^{9/10} × 20 ^{1/5}	24 × 27 ^{3/5} × 15 ^{1/5}	117	147
		LP	10	35,000	70,000	10" w.c.				
ATRC-36	3 Burners, Independent Manual Control	NG	4	35,000	105,000	4" w.c.	35 ^{7/10} × 20 ^{1/5}	36 × 27 ^{3/5} × 15 ^{1/5}	159	205
		LP	10	35,000	105,000	10" w.c.				
ATRC-48	4 Burners, Independent Manual Control	NG	4	35,000	140,000	4" w.c.	47 ^{9/10} × 20 ^{1/5}	48 × 27 ^{3/5} × 15 ^{1/5}	201	256

PLAN VIEW

ATRC-24

ATRC-36

ATRC-48



Stainless steel knobs

Inlet pipe

Radiant

Stainless steel legs

Cast iron grates

