

Worktables with Sink



Worktables with Sink

Features

- Sinks come with 1 7/8" center drain hole and come with drain mini-basket
- Sinks come with 4" center pre-cut holes for standard deck mount faucet (faucet not included)
- Heavy duty, 18 gauge, Type 430 stainless steel top provides long life
- Top is TIG welded
- Entire top surface is machine polished to a satin finish
- Reinforced to exceed industry standards
- Galvanized hat channels are secured to top by structural adhesive and weld studs
- Gussets welded to support hat sections
- Hemmed edges provide strength and safety
- Simple assembly
- Shipped unassembled for reduced cost and space
- Galvanized legs and undershelf for durability and economy
- Die cast reinforced leg sockets for stability
- Legs are 1 5/8" diameter
- Adjustable ABS bullet feet to accommodate uneven flooring
- 84" and above have 6 legs

>> **EFI Product Feature:** Shipping specifications are approximate. Units given in pounds or inches.

Specifications subject to change without notice.



Worktables with Sink

Specifications

WORKTABLES WITH SINK 24" DEPTH

Product #	Width	Shipping Dimensions			Weight (lbs)
		L"	W"	H"	
TTUBL2448	48	50	26	14	86
TTUBR2448	48	50	26	14	86
TTUBL2460	60	62	26	14	98
TTUBR2460	60	62	26	14	98
TTUBL2472	72	74	26	14	111
TTUBR2472	72	74	26	14	111
TTUBL2484	84	86	26	14	125
TTUBR2484	84	86	26	14	125
TTUBL2496	96	98	26	14	136
TTUBR2496	96	98	26	14	136

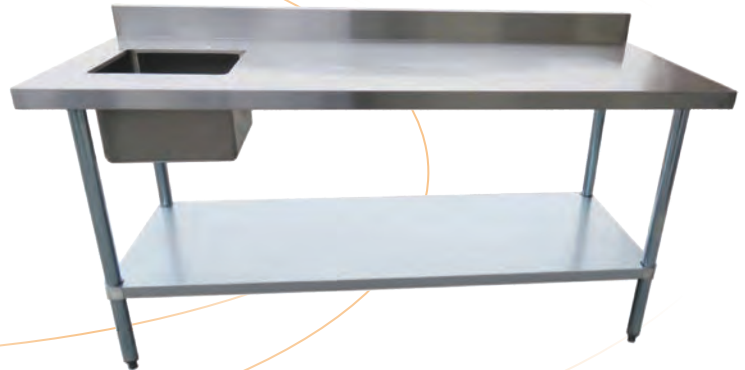
WORKTABLES WITH SINK 30" DEPTH

Product #	Width	Shipping Dimensions			Weight (lbs)
		L"	W"	H"	
TTUBL3048	48	50	32	14	95
TTUBR3048	48	50	32	14	95
TTUBL3060	60	62	32	14	110
TTUBR3060	60	62	32	14	110
TTUBL3072	72	74	32	14	125
TTUBR3072	72	74	32	14	125
TTUBL3084	84	86	32	14	140
TTUBR3084	84	86	32	14	140
TTUBL3096	96	98	32	14	156
TTUBR3096	96	98	32	14	156



Specifications subject to change without notice.

Worktables with Sink with Backsplash



Worktables with Sink with Backsplash

Features

- Sinks come with 1 7/8" center drain hole and come with drain mini-basket
- Sinks come with 4" center pre-cut holes for standard deck mount faucet (faucet not included)
- Heavy duty, 18 gauge, Type 430 stainless steel top provides long life
- Top is TIG welded
- Entire top surface is machine polished to a satin finish
- Reinforced to exceed industry standards
- Galvanized hat channels are secured to top by structural adhesive and weld studs
- Gussets welded to support hat sections
- Hemmed edges provide strength and safety
- Simple assembly
- Shipped unassembled for reduced cost and space
- Galvanized legs and undershelf for durability and economy
- Die cast reinforced leg sockets for stability
- Legs are 1 5/8" diameter
- Adjustable ABS bullet feet to accommodate uneven flooring
- 84" and above have 6 legs

>> **EFI Product Feature:** Shipping specifications are approximate. Units given in pounds or inches.

Specifications subject to change without notice.



Woktables with Sink with Backsplash Specifications

WORKTABLES WITH SINK AND BACKSPLASH 24" DEPTH

Product #	Width	Shipping Dimensions			Weight (lbs)
		L"	W"	H"	
TTUBL2448-B	48	50	26	15	95
TTUBR2448-B	48	50	26	15	95
TTUBL2460-B	60	62	26	15	113
TTUBR2460-B	60	62	26	15	113
TTUBL2472-B	72	74	26	15	119
TTUBR2472-B	72	74	26	15	119
TTUBL2484-B	84	86	26	15	125
TTUBR2484-B	84	86	26	15	125
TTUBL2496-B	96	98	26	15	136
TTUBR2496-B	96	98	26	15	136

WORKTABLES WITH SINK AND BACKSPLASH 30" DEPTH

Product #	Width	Shipping Dimensions			Weight (lbs)
		L"	W"	H"	
TTUBL3048-B	48	50	32	15	104
TTUBR3048-B	48	50	32	15	104
TTUBL3060-B	60	62	32	15	117
TTUBR3060-B	60	62	32	15	117
TTUBL3072-B	72	74	32	15	133
TTUBR3072-B	72	74	32	15	133
TTUBL3084-B	84	86	32	15	148
TTUBR3084-B	84	86	32	15	148
TTUBL3096-B	96	98	32	15	164
TTUBR3096-B	96	98	32	15	164

Tables



Specifications subject to change without notice.



Equipment for the Foodservice Industry



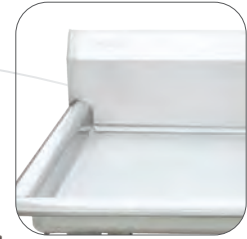
Clean Up

by EFI



Stainless Steel Clean Dish Tables

7 1/2" EXTRA LARGE BOLD
LOOKING BACKSPLASH WITH
2" RETURN & TILE EDGE



Stainless Steel Clean Dish Tables

Features

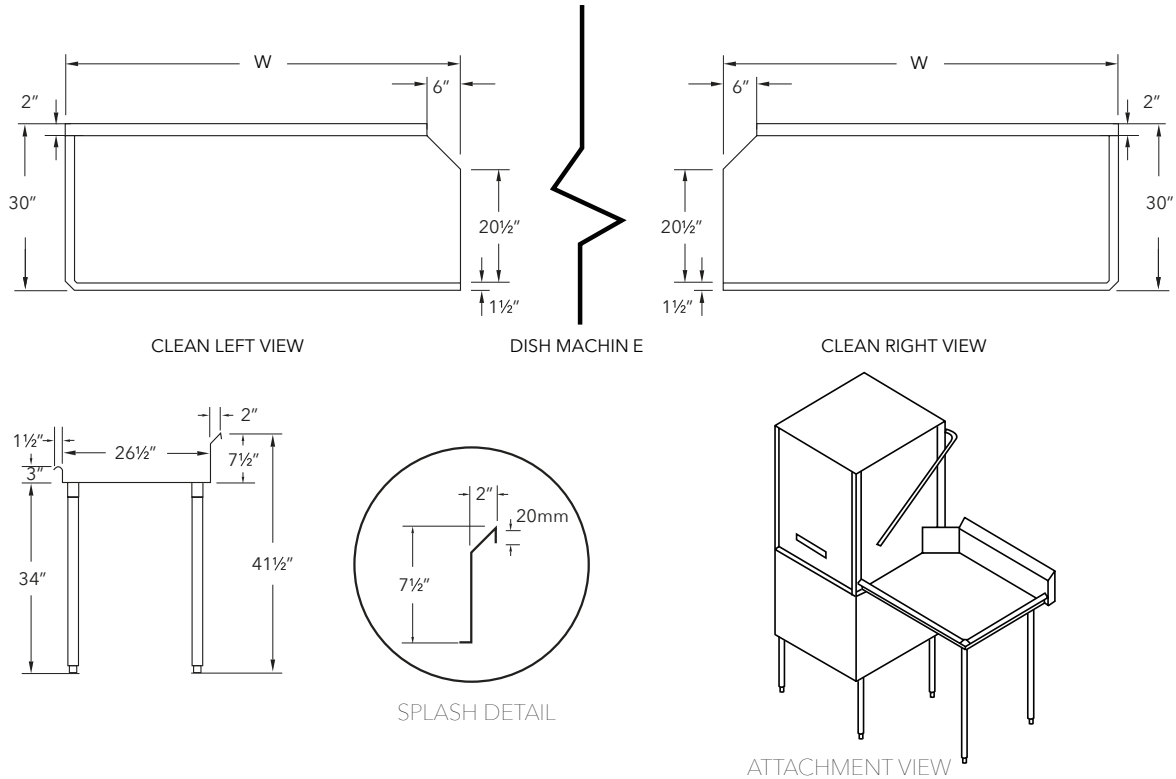
- Dish table system consists of soil and clean sections
- Table is furnished with a 7 1/2" backsplash and a 2" return
- Wall clips are provided for a neat and easy installation
- Tables are made from 16 gauge, Type 304 stainless steel with stainless steel gussets and channels
- All TIG welded
- Welded areas are blended to a satin finish to match adjacent surfaces
- All gussets are welded to stainless steel support channels
- Die cast reinforced leg sockets for increased stability
- Each dish table comes with 2 galvanized legs with adjustable ABS bullet feet
- Optional all-stainless steel legs are available

>> **EFI Product Feature:** Shipping specifications are approximate. Units given in pounds or inches.

Specifications subject to change without notice.

Stainless Steel Clean Dish Tables

Specifications



Product #	Width	Shipping Dimensions			Weight (lbs)
		W"	D"	H"	
SICT24L	24	26	33	11	32
SICT24R	24	26	33	11	32
SICT36L	36	38	33	11	41
SICT36R	36	38	33	11	41
SICT48L	48	50	33	11	50
SICT48R	48	50	33	11	50
SICT60L	60	62	33	11	59
SICT60R	60	62	33	11	59
SICT72L	72	74	33	11	68
SICT72R	72	74	33	11	68
SICT84L	84	86	33	11	78
SICT84R	84	86	33	11	78
SICT96L	96	98	33	11	86
SICT96R	96	98	33	11	86



Specifications subject to change without notice.

Stainless Steel Soil Dish Tables

7 1/2" EXTRA LARGE BOLD
LOOKING BACKSPLASH WITH
2" RETURN & TILE EDGE



Stainless Steel Soil Dish Tables

Features

- Dish table system consists of soil and clean sections
- Standard soil section comes with a 5" deep sink bowl
- Pre-rinse drain basket is included with each soil section
- Table is furnished with a 7 1/2" backsplash and a 2" return
- Soil section comes with 8" center knockouts for standard wall mount faucets (faucets not included)
- Wall clips are provided for a neat and easy installation
- Tables are made from 16 gauge, Type 304 stainless steel with stainless steel gussets and channels
- All TIG welded
- Welded areas are blended to a satin finish to match adjacent surfaces
- All gussets are welded to stainless steel support channels
- Die cast reinforced leg sockets for increased stability
- Each dish table comes with 2 galvanized legs with adjustable ABS bullet feet
- Optional all-stainless steel legs are available

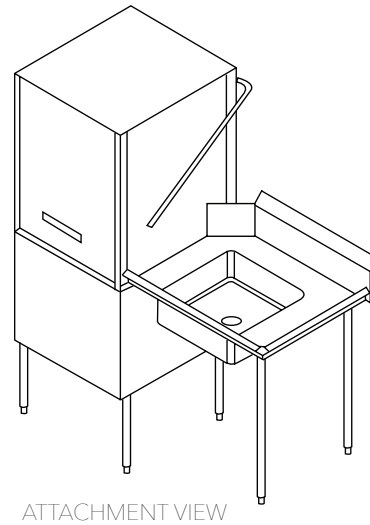
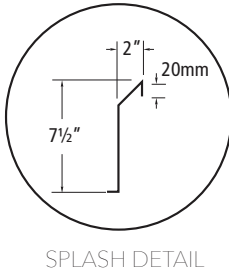
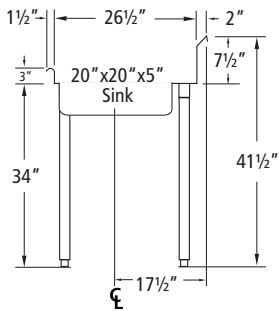
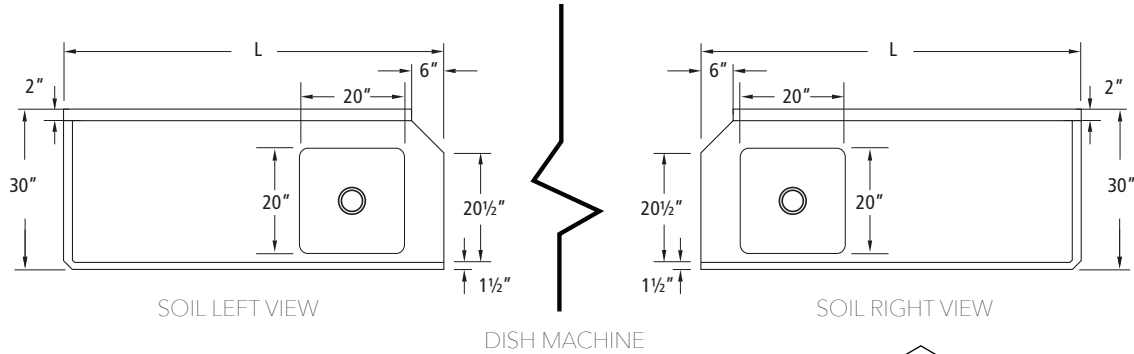
>> **EFI Product Feature:** Shipping specifications are approximate. Units given in pounds or inches.

Specifications subject to change without notice.



Stainless Steel Soil Dish Tables

Specifications

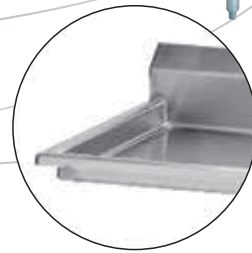
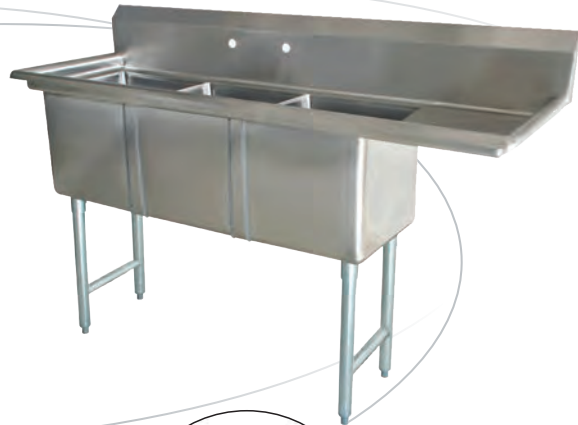


Product #	Width	Shipping Dimensions			Weight (lbs)
		W"	D"	H"	
SIST36L	36	38	33	13	49
SIST36R	36	38	33	13	49
SIST48L	48	50	33	13	58
SIST48R	48	50	33	13	58
SIST60L	60	62	33	13	67
SIST60R	60	62	33	13	67
SIST72L	72	74	33	13	76
SIST72R	72	74	33	13	76
SIST84L	84	86	33	13	78.5
SIST84R	84	86	33	13	85
SIST96L	96	98	33	13	95
SIST96R	96	98	33	13	95



Specifications subject to change without notice.

Compartment Drain Sinks



Compartment Drain Sinks

Features

- 18 gauge, Type 304 stainless steel construction for lasting durability
- Coved corners for safety and easy cleaning
- Die-stamped drain boards and sink bottoms for positive drainage
- Prep. sinks come with an 11" deep bowl and are available with center or corner drain
- Wall clips are provided for neat and easy installation
- All sinks come with 8" center pre-cut and holes for standard wall mount faucets (faucet not included)
- Corner drain sinks come with corner drain guard, overflow pipe and drain pipe extension
- Corner drain sinks have a 1 7/8" diameter drain hole and come with drain basket
- Center drain sinks have 3 1/2" drain holes and come with a drain basket
- Sink heights are 36" floor to rim and 44 1/2" floor to top of backsplash
- Seamless one piece construction with 5/8" radius corners for easy cleaning
- All TIG welded
- Welded areas are blended to match adjacent surface and blended to a satin finish
- Gussets are welded to a die embossed reinforced plate
- Optional leg braces are available for additional support in heavy duty applications
- 1 5/8" diameter galvanized legs with 1" adjustable plastic bullet feet

DIMENSIONS & SPECIFICATIONS

18" COMPARTMENT CENTER DRAIN SINKS

Please see page 204-205 for dimensional information

18" COMPARTMENT CORNER DRAIN SINKS

Please see page 206-207 for dimensional information





24" COMPARTMENT CORNER DRAIN SINKS

Please see page 208-209 for dimensional information

18" Compartment Center Drain Sinks

Specifications



18" SINGLE COMPARTMENT

Product #	Style	Shipping Dimensions			Weight (lbs)
		W"	D"	H"	
SI818-1NC		24	24	27	51
SI818-1LC		39	24	27	60
SI818-1RC		39	24	27	60
SI818-1BC		54	24	27	69

SI818-1NC







18" 2 COMPARTMENT

Product #	Style	Shipping Dimensions			Weight (lbs)
		W"	D"	H"	
SI818-2NC		42	24	27	73
SI818-2LC		57	24	27	82
SI818-2RC		57	24	27	82
SI818-2BC		72	24	27	91

SI818-2NC



18" 3 COMPARTMENT

Product #	Style	Shipping Dimensions			Weight (lbs)
		W"	D"	H"	
SI818-3NC		60	24	27	95
SI818-3LC		75	24	27	104
SI818-3RC		75	24	27	104
SI818-3BC		90	24	27	113

SI818-3NC



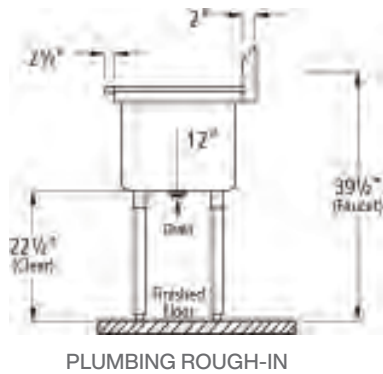
>> **EFI Product Feature:** Shipping specifications are approximate. Units given in pounds or inches.

Specifications subject to change without notice.



18" Compartment Center Drain Sinks Specifications

Product #	Drain Location	Overall Width (W)	Depth (D)	No. of Bowls	Bowl Size (A & B)	No. of Drainboards	Drainboard Width (C)	Drainboard Location
SI818-1NC	Center	23"	23 1/2"	1	18" x 18"	0	N/A	N/A
SI818-1LC	Center	38 1/2"	23 1/2"	1	18" x 18"	1	18"	L
SI818-1RC	Center	38 1/2"	23 1/2"	1	18" x 18"	1	18"	R
SI818-1BC	Center	54"	23 1/2"	1	18" x 18"	2	18"	R & L
SI818-2NC	Center	41"	23 1/2"	2	18" x 18"	0	N/A	N/A
SI818-2LC	Center	56 1/2"	23 1/2"	2	18" x 18"	1	18"	L
SI818-2RC	Center	56 1/2"	23 1/2"	2	18" x 18"	1	18"	R
SI818-2BC	Center	72"	23 1/2"	2	18" x 18"	2	18"	R & L
SI818-3NC	Center	59"	23 1/2"	3	18" x 18"	0	N/A	N/A
SI818-3LC	Center	74 1/2"	23 1/2"	3	18" x 18"	1	18"	L
SI818-3RC	Center	74 1/2"	23 1/2"	3	18" x 18"	1	18"	R
SI818-3BC	Center	90"	23 1/2"	3	18" x 18"	2	18"	R & L

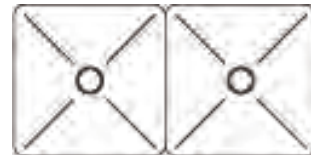


18" COMPARTMENT
CENTER DRAIN SINKS
3 1/2" DRAIN BASKET

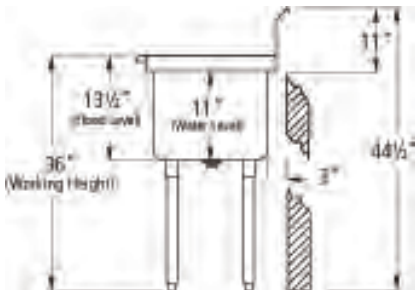
DIMENSIONS



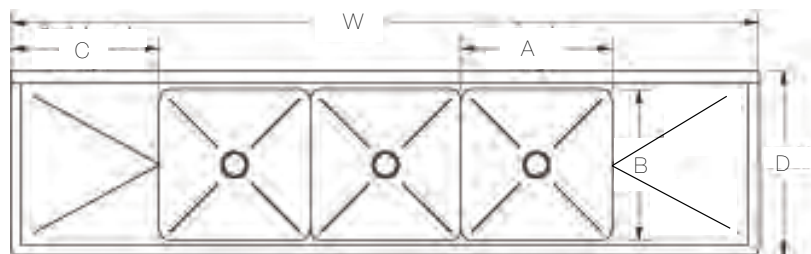
SINGLE COMPARTMENT



2 COMPARTMENTS



SECTION



3 COMPARTMENTS (WITH DRAIN BOARDS)

>> **EFI Product Feature:** All units are shipped unassembled to reduce shipping costs.



Specifications subject to change without notice.

18" Compartment Corner Drain Sinks Specifications

18" SINGLE COMPARTMENT

Product #	Style	Shipping Dimensions			Weight (lbs)
		W"	D"	H"	
SI818-1N		24	24	24	58
SI818-1L		45	24	24	68
SI818-1R		45	24	24	68
SI818-1B		66	24	24	79



SI818-1B
NSF Intertek

18" 2 COMPARTMENT

Product #	Style	Shipping Dimensions			Weight (lbs)
		W"	D"	H"	
SI818-2N		42	24	24	83
SI818-2L		63	24	24	94
SI818-2R		63	24	24	94
SI818-2B		84	24	24	106



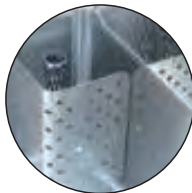
SI818-2N
NSF Intertek

18" 3 COMPARTMENT

Product #	Style	Shipping Dimensions			Weight (lbs)
		W"	D"	H"	
SI818-3N		59	24	24	110
SI818-3L		81	24	24	121
SI818-3R		81	24	24	121
SI818-3B		103	24	24	133



SI818-3R
NSF Intertek



CORNER DRAIN DETAIL WITH DRAIN GUARD AND OVERFLOW TUBE (included with all corner drain sinks)

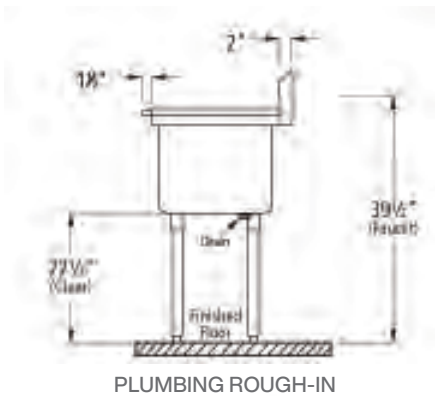
>> **EFI Product Feature:** Shipping specifications are approximate. Units given in pounds or inches.

Specifications subject to change without notice.



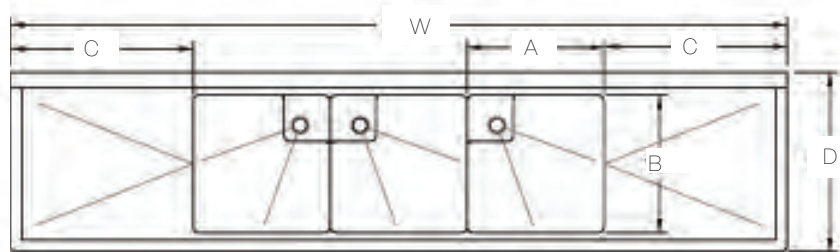
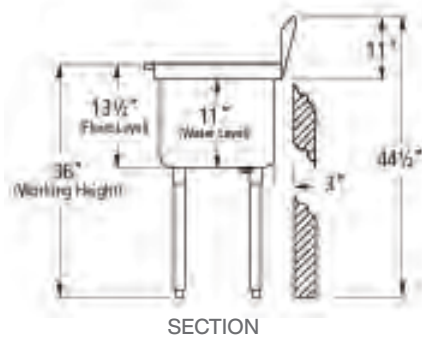
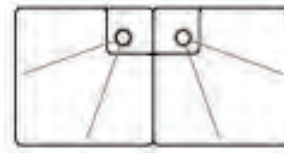
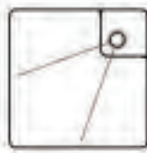
18" Compartment Corner Drain Sinks Specifications

Product #	Drain Location	Overall Width (W)	Depth (D)	No. of Bowls	Bowl Size (A & B)	No. of Drainboards	Drainboard Width (C)	Drainboard Location
SI818-1N	Corner	23"	23 1/2"	1	18" x 18"	0	N/A	N/A
SI818-1L	Corner	44 1/2"	23 1/2"	1	18" x 18"	1	24"	L
SI818-1R	Corner	44 1/2"	23 1/2"	1	18" x 18"	1	24"	R
SI818-1B	Corner	66"	23 1/2"	1	18" x 18"	2	24"	R & L
SI818-2N	Corner	41"	23 1/2"	2	18" x 18"	0	N/A	N/A
SI818-2L	Corner	62 1/2"	23 1/2"	2	18" x 18"	1	24"	L
SI818-2R	Corner	62 1/2"	23 1/2"	2	18" x 18"	1	24"	R
SI818-2B	Corner	84"	23 1/2"	2	18" x 18"	2	24"	R & L
SI818-3N	Corner	59"	23 1/2"	3	18" x 18"	0	N/A	N/A
SI818-3L	Corner	80 1/2"	23 1/2"	3	18" x 18"	1	24"	L
SI818-3R	Corner	80 1/2"	23 1/2"	3	18" x 18"	1	24"	R
SI818-3B	Corner	102"	23 1/2"	3	18" x 18"	2	24"	R & L



18" COMPARTMENT
CORNER DRAIN SINKS
1 7/8" DRAIN BASKET

DIMENSIONS



>> **EFI Product Feature:** All units are shipped unassembled to reduce shipping costs.



Specifications subject to change without notice.

24" Compartment Corner Drain Sinks Specifications

24" SINGLE COMPARTMENT

Product #	Style	Shipping Dimensions			Weight (lbs)
		W"	D"	H"	
SI824-1N		30	30	30	62
SI824-1L		51	30	30	75
SI824-1R		51	30	30	75
SI824-1B		73	30	30	89



SI824-1B
NSF Intertek

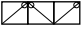

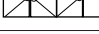

24" 2 COMPARTMENT

Product #	Style	Shipping Dimensions			Weight (lbs)
		W"	D"	H"	
SI824-2N		55	30	30	93
SI824-2L		76	30	30	106
SI824-2R		76	30	30	106
SI824-2B		97	30	30	120



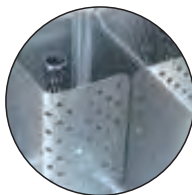
SI824-2N
NSF Intertek

24" 3 COMPARTMENT

Product #	Style	Shipping Dimensions			Weight (lbs)
		W"	D"	H"	
SI824-3N		79	30	30	124
SI824-3L		100	30	30	137
SI824-3R		100	30	30	137
SI824-3B		121	30	30	153



SI824-3R
NSF Intertek



CORNER DRAIN DETAIL WITH DRAIN GUARD AND OVERFLOW TUBE (included with all corner drain sinks)

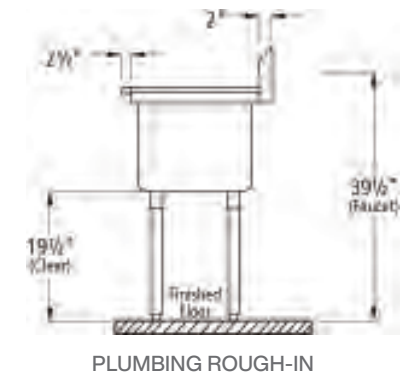
>> **EFI Product Feature:** Shipping specifications are approximate. Units given in pounds or inches.

Specifications subject to change without notice.



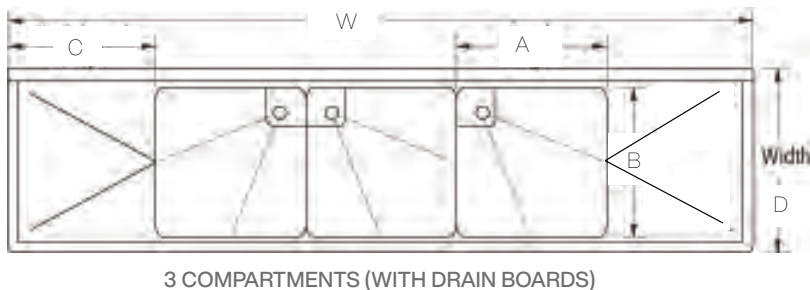
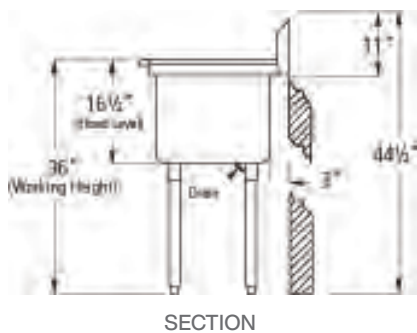
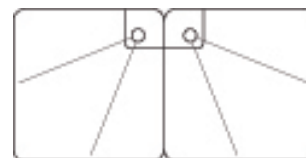
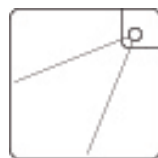
24" Compartment Corner Drain Sinks Specifications

Product #	Drain Location	Overall Width (W)	Depth (D)	No. of Bowls	Bowl Size (A & B)	No. of Drainboards	Drainboard Width (C)	Drainboard Location
SI824-1N	Corner	30"	30"	1	24"×24"	0	N/A	N/A
SI824-1L	Corner	50 1/2"	30"	1	24"×24"	1	24"	L
SI824-1R	Corner	50 1/2"	30"	1	24"×24"	1	24"	R
SI824-1B	Corner	72 1/2"	30"	1	24"×24"	2	24"	R & L
SI824-2N	Corner	54 1/2"	30"	2	24"×24"	0	N/A	N/A
SI824-2L	Corner	75 1/2"	30"	2	24"×24"	1	24"	L
SI824-2R	Corner	75 1/2"	30"	2	24"×24"	1	24"	R
SI824-2B	Corner	96 1/2"	30"	2	24"×24"	2	24"	R & L
SI824-3N	Corner	78 1/2"	30"	3	24"×24"	0	N/A	N/A
SI824-3L	Corner	99 1/2"	30"	3	24"×24"	1	24"	L
SI824-3R	Corner	99 1/2"	30"	3	24"×24"	1	24"	R
SI824-3B	Corner	120 1/2"	30"	3	24"×24"	2	24"	R & L



24" COMPARTMENT
CORNER DRAIN SINKS
1 7/8" DRAIN BASKET

DIMENSIONS



>> **EFI Product Feature:** All units are shipped unassembled to reduce shipping costs.



Specifications subject to change without notice.

24" Dishwasher Sinks



24" Dishwasher Sinks

Features

- 18 gauge, Type 304 stainless steel construction for lasting durability
- Coved corners for safety and easy cleaning
- Die-stamped drain boards and sink bottoms for positive drainage
- Wall clips are provided for neat and easy installation
- All sinks come with 8" center pre-cut holes for standard wall mount faucets (faucet not included)
- 3.5" drain basket included
- Drainboard with bend-down hook
- All TIG welded
- Welded areas are blended to match adjacent surface and blended to a satin finish
- Gussets are welded to a die embossed reinforced plate
- Stainless steel legs with welded leg brace

Clean Up

Product #	Bowls	Shipping Dimensions			Weight (lbs)	Overall Width	Drainboards
		W"	D"	H"			
SI824-2L-DW	2	74.5	30	40	70.5	75"	1
SI824-2R-DW	2	74.5	30	40	70.5	75"	1
SI824-3L-DW	3	98.5	30	40	97.9	98.5"	2
SI824-3R-DW	3	98.5	30	40	97.9	98.5"	2

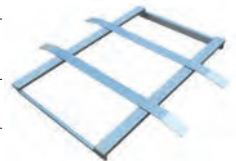
SCRAPPING BASKET

Product #	Description
SI824-SCB	Stainless steel pre-rinse drain basket 23.5"x23.5"x4"



DISH RACK SLIDE BAR

Product #	Description
SI824-SB	Stainless steel



>> **EFI Product Feature:** Shipping specifications are approximate. Units given in pounds or inches.

Specifications subject to change without notice.



Space Saver Sinks



Space Saver Sinks

Features

- 18 gauge, Type 304 stainless steel construction for lasting durability
- Coved corners for safety and easy cleaning
- Die-stamped drain boards and sink bottoms for positive drainage
- Sink dimensions 10"x14"x10"
- All sinks come with 8" center pre-cut holes for standard wall mount faucets (faucet not included)
- Corner drain with 1.5" drain basket included
- Equipped with drain guards
- All TIG welded
- Welded areas are blended to match adjacent surface and blended to a satin finish
- Gussets are welded to a die embossed reinforced plate
- Stainless steel legs with welded leg brace

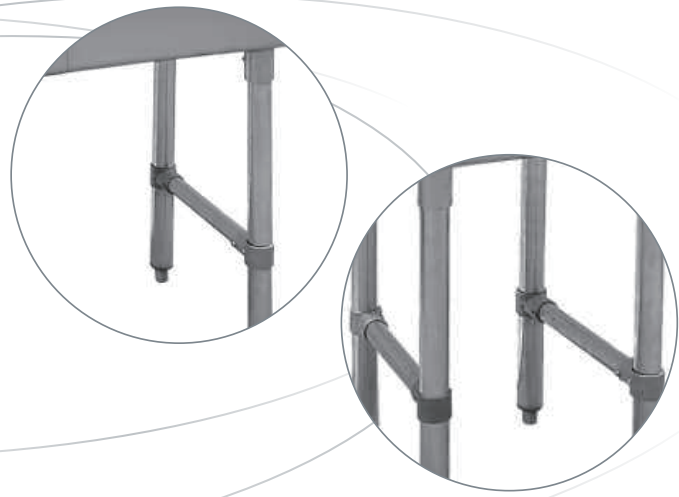
Product #	Bowls	Shipping Dimensions			Weight (lbs)	Overall Width	Drainboards
		W"	D"	H"			
SI1410-3N	3	35.4	20	94.5	32.6	35"	0
SI1410-3L	3	48.8	20	94.5	37.9	48.6"	1L
SI1410-3R	3	48.8	20	94.5	37.9	48.6"	1R
SI1410-3B	3	62.2	20	94.5	43.2	62"	2L/R

>> **EFI Product Feature:** All units are shipped unassembled to reduce shipping costs.



Specifications subject to change without notice.

Sink Accessories



Sink Accessories

Specifications

OPTIONAL LEG BRACES FOR SINKS

Product #	Description	Shipping Dimensions			Weight (lbs)
		W"	D"	H"	
SI18-1LB	For a single compartment 18" sink	18	5	2	3
SI24-1LB	For a single compartment 24" sink	24	5	2	5
SI18-2LB	For a double compartment 18" sink	35	5	2	5
SI24-2LB	For a double compartment 24" sink	46	5	2	6
SI18-3LB	For a triple compartment 18" sink	51	5	2	6
SI24-3LB	For a triple compartment 24" sink	69	5	2	7

Clean Up

STAINLESS STEEL DRAIN: 17/8" MINI-BASKET

- Product # SIA-DB178
- NPS Outlet: 1.5"
- Weight: 3 lbs



STAINLESS STEEL DRAIN: 12" OVERFLOW TUBE

- Product # SIA-DT12
- NPS Outlet: 1.5"
- Weight: 2 lbs



STAINLESS STEEL DRAIN: 3.5" BASKET STRAINER

- Product # SIA-DB350
- NPS Outlet: 1.5"
- Weight: 3 lbs



>> **EFI Product Feature:** Shipping specifications are approximate. Units given in pounds or inches.

Specifications subject to change without notice.



Blender Stations



Blender Stations

Features

- 18 gauge, Type 304 stainless steel recessed step, backsplash, sides and hat channel
- Open back and bottom
- 10"x14"x10" dump sink
- 1" IPS drain included
- 3" backsplash
- All sinks come with 4" center pre-cut holes for standard wall mount faucets (faucet not included)
- 1 5/8" diameter galvanized legs with 1" adjustable plastic bullet feet
- 1 1/2" grommet hole for blender power cords

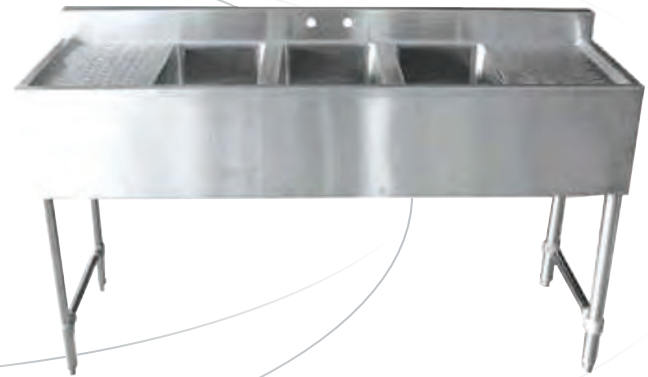
Product #	Drain Location	Shipping Dimensions			Bowl Size	Bowl Depth	Step Depth
		Width	Depth	Height			
SIBB-2312	Center	12"	23"	30"	10" x 14"	10"	5.5"
SIBB-2315	Center	15"	23"	30"	10" x 14"	10"	5.5"
SIBB-2318	Center	18"	23"	30"	10" x 14"	10"	5.5"

>> **EFI Product Feature:** All units are shipped unassembled to reduce shipping costs.



Specifications subject to change without notice.

Standard Bar Sinks



Standard Bar Sinks

Features

- 18 gauge, Type 304 stainless steel construction for lasting durability
- Coved corners for safety and easy cleaning
- Die-stamped drain boards and sink bottoms for positive drainage
- Wall clips are provided for neat and easy installation
- All sinks come with 4" center pre-cut holes for standard wall mount faucets (faucet not included)
- Corner drain sink with a 1½" diameter drain hole and come with 3.5" drain basket
- Sink wells are 10" deep
- All TIG welded
- Welded areas are blended to match adjacent surface and blended to a satin finish
- Gussets are welded to a die embossed reinforced plate
- 1 5/8" diameter galvanized legs with 1" adjustable plastic bullet feet

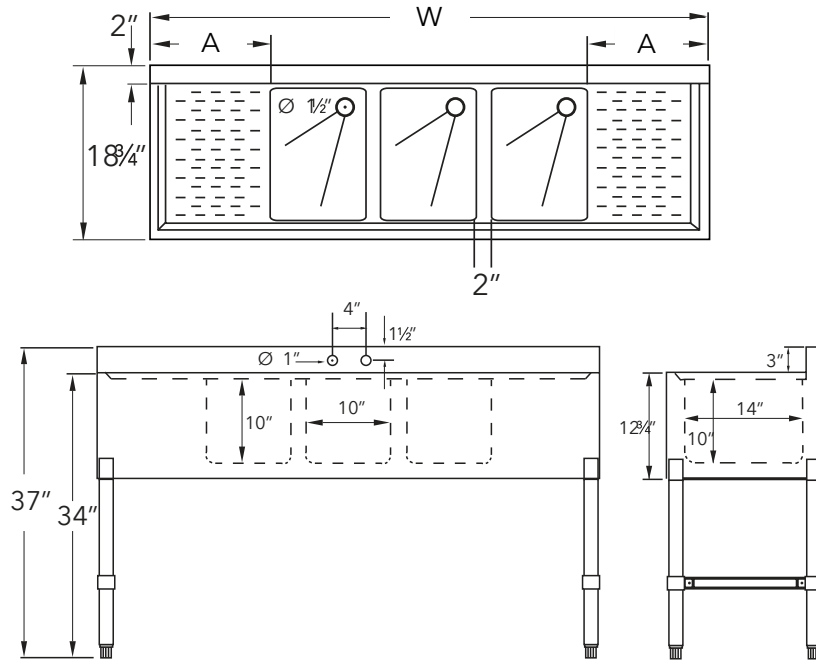
>> **EFI Product Feature:** Shipping specifications are approximate. Units given in pounds or inches.

Specifications subject to change without notice.



Standard Bar Sinks

Specifications



Product #	Bowls	Shipping Dimensions			Weight (lbs)	Overall Width(W)	Drainboards	Drainboard (A)
		W"	D"	H"				
SIB-1N	1	24	22	17	56	14 1/2"	0	N/A
SIB-1L	1	26	22	17	67	24"	1	11 3/4" Left
SIB-1R	1	26	22	17	67	24"	1	11 3/4" Right
SIB-1B	1	38	22	17	76	36"	2	13" each
SIB-2N	2	28	22	17	85	26 1/2"	0	N/A
SIB-2L	2	38	22	17	96	36"	1	11 3/4" Left
SIB-2R	2	38	22	17	96	36"	1	11 3/4" Right
SIB-2B	2	50	22	17	106	48"	2	13" each
SIB-3N	3	40	22	17	115	39 1/2"	0	N/A
SIB-3L	3	50	22	17	125	48"	1	11 3/4" Left
SIB-3R	3	50	22	17	125	48"	1	11 3/4" Right
SIB-3B-60	3	62	22	17	135	60"	2	13" each
SIB-3B-72	3	74	22	17	150	72"	2	19" each
SIB-4B	4	74	22	17	150	72"	2	13" each

Standard Ice Bins



Standard Ice Bins

Features

- 20 gauge, Type 304 stainless steel
- 1" drain hole
- Legs and sockets are made with galvanized steel durability and economy
- Ship unassembled
- Available in two depths
- Comes with plastic bottle holder
- All TIG welded
- Welded areas are blended to a satin finish to match adjacent surfaces

Clean Up

Product #	Width	Bin Depth	Overall Depth	Left Side Drain	Leg Size	Shipping Dimensions			Weight (lbs)
						W"	D"	H"	
SIIB1824	2'-0"	12"	13.5"	12"	16.5"	26	20	19	31
SIIB1830	2'-6"	12"	13.5"	15"	16.5"	32	20	19	36
SIIB1836	3'-0"	12"	13.5"	18"	16.5"	36	20	19	40
SIIB1824D	2'-0"	15"	16.5"	12"	13.5"	26	20	22	33
SIIB1830D	2'-6"	15"	16.5"	15"	13.5"	30	20	22	38
SIIB1836D	3'-0"	15"	16.5"	18"	13.5"	36	20	22	42

>> **EFI Product Feature:** Shipping specifications are approximate. Units given in pounds or inches.

Specifications subject to change without notice.



Standard Ice Bins

Specifications



BAR SINK SPEED RAILS - SINGLE

Product #	Description
SIBASR-24	24" single tier speed rail for bar sink
SIBASR-30	30" single tier speed rail for bar sink
SIBASR-36	36" single tier speed rail for bar sink
SIBASR-48	48" single tier speed rail for bar sink

BAR SINK SPEED RAILS - DOUBLE

Product #	Description
SIBASR2-24	24" double tier speed rail for bar sink
SIBASR2-30	30" double tier speed rail for bar sink
SIBASR2-36	36" double tier speed rail for bar sink
SIBASR2-42	42" double tier speed rail for bar sink
SIBASR2-48	48" double tier speed rail for bar sink

Stainless Steel Wall Mounted & Drop In Hand Sinks



Stainless Steel Hand Sinks

Features

- Sink bowl is 10" x 14" x 5"
- All sink bowls have a large liberal radius
- Rectangular in design for increased capacity
- Keyhole wall mount bracket
- Stainless steel basket drain with a 1½" IPS
- 8" backsplash
- 4" center faucet holes
- All TIG welded
- Welded areas are blended to a satin finish to match adjacent surfaces
- Die formed countertop edge with a No-Drip offset
- One sheet of stainless steel means no seams
- Heavy gauge Type 304 stainless steel
- Wall mounting bracket is of offset design in Type 304 stainless steel
- All fittings are brass/chrome unless otherwise indicated

Product Information:

- Faucet supply is 1 1/2" IPS male thread hot and cold
- Stainless steel foot valve and faucet are extra unless specified

>> **EFI Product Feature:** Shipping specifications are approximate. Units given in pounds or inches.

Specifications subject to change without notice.

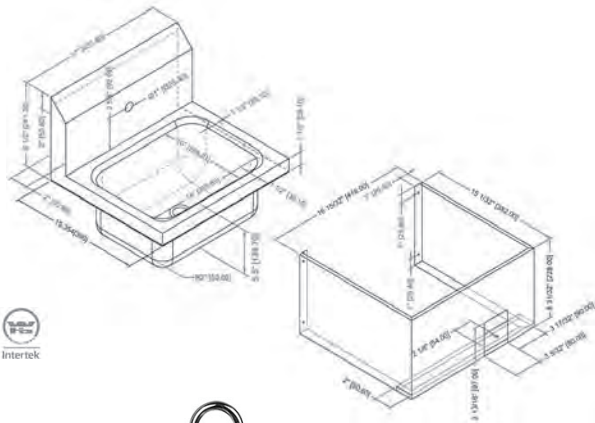


Stainless Steel Hand Sinks

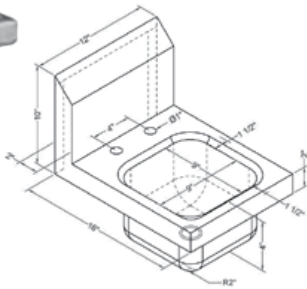
Specifications



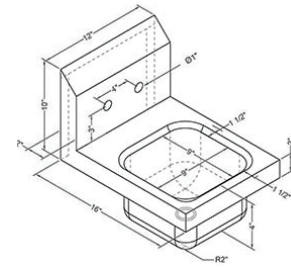
SIH817-K



SIH817-D



SIH813-F



STAINLESS STEEL WALL MOUNT HAND SINKS

Product #	Description	Shipping Dimensions			Weight (lbs)
		W"	D"	H"	
SIH817-K	Wall mount hand sink w/ knee valve and faucet	16	16	18	23

STAINLESS STEEL WALL MOUNT HAND SINKS

Product #	Description	Shipping Dimensions			Weight (lbs)
		W"	D"	H"	
SIH817-D	Deck mount hand sink w/ faucet	18	18	15	13
SIH813-F	Wall mount space saver hand sink w/ faucet	12	16	12	5

HAND SINK ACCESSORIES

Product #	Description	Shipping Dimensions			Weight (lbs)
		W"	D"	H"	
SIH-F	Faucet for hand sink	9	5	3	2
SIH-FV	Foot-valve for hand sink	11	6	3	3

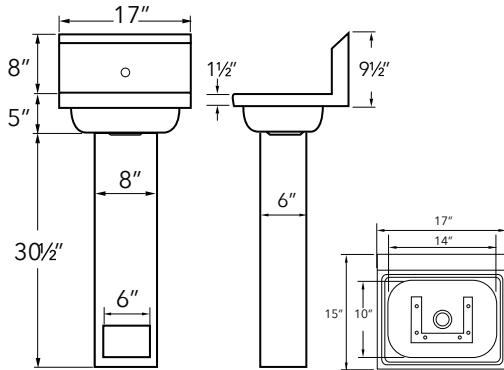
Clean Up



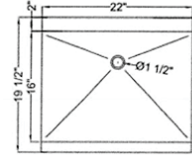
Specifications subject to change without notice.

Stainless Steel Hand Sinks

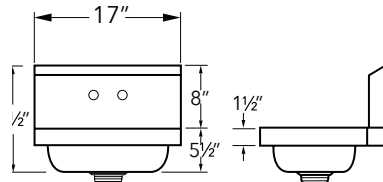
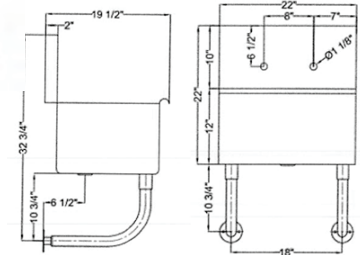
Specifications



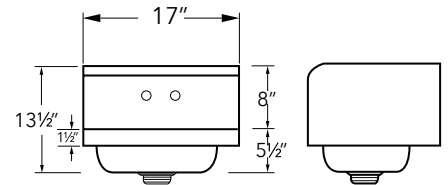
SIH817-P NSF Intertek



SIH819-WM



SIH817-F NSF Intertek



SIH817-S NSF Intertek

STAINLESS STEEL WALL MOUNT HAND SINKS

Product #	Description	Shipping Dimensions			Weight (lbs)
		W"	D"	H"	
SIH817-W	Wall mount hand sink	18	17	14	13
SIH817-F	Wall mount hand sink w/ faucet	18	17	14	14
SIH817-S	Wall mount hand sink w/ splash guard	18	17	14	14
SIH817-P	Wall mount hand sink w/ pedestal base includes spout and foot valve	18	17	14	23

WALL MOUNT UTILITY HAND SINKS

Product #	Description	Shipping Dimensions			Bowl Depth
		W"	D"	H"	
SIH819-WM	Wall mount sink w/10" backsplash, 2 stainless steel tubular brackets	20	22	24	4"

>> **EFI Product Feature:** Shipping specifications are approximate. Units given in pounds or inches.

Specifications subject to change without notice.

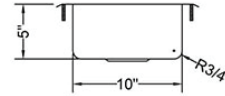
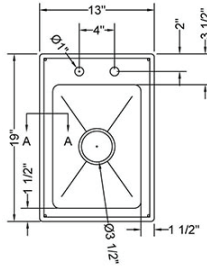


Stainless Steel Hand Sinks

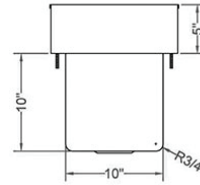
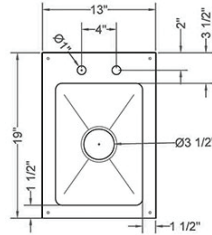
Specifications



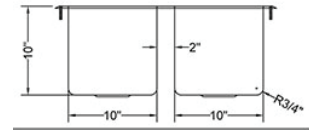
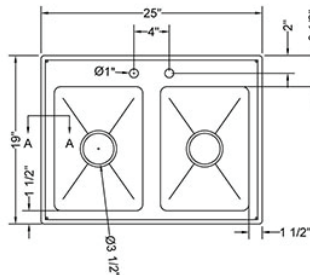
SIHD819-5



SIHD819-10



SIHD819-10-2



STAINLESS STEEL DROP IN SINKS

Product #	Description	Shipping Dimensions			Weight (lbs)
		W"	D"	H"	
SIHD819-5	Drop in sink 5" depth bowl	13	19	5	10
SIHD819-10	Drop in sink 10" depth bowl	13	19	10	12
SIHD819-10-2	Drop in sink with 2 fabricated bowls	25	19	10	21

SINK ACCESSORIES

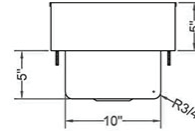
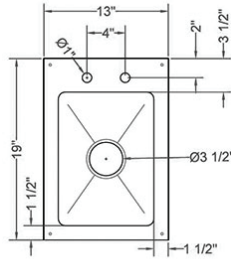
Product #	Description	Shipping Dimensions			Weight (lbs)
		W"	D"	H"	
SIH-FD	Faucet for drop in sink	9	5	3	2



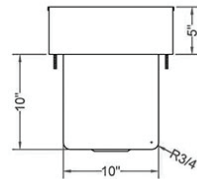
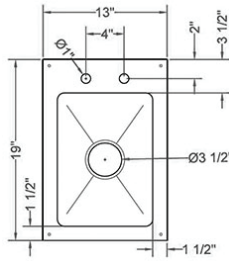
Specifications subject to change without notice.

Stainless Steel Hand/Wall Mounted Sinks

Specifications



SIHD819-5-S



SIHD819-10-S



Clean Up

STAINLESS STEEL DROP IN SINKS with SPLASH GUARD

Product #	Description	Shipping Dimensions			Weight (lbs)
		W"	D"	H"	
SIHD819-5-S	Drop in sink 5" depth bowl w/ splash guard	13	19	5	10
SIHD819-10-S	Drop in sink 10" depth bowl w/ splash guard	13	19	10	12

DROP IN SINK ACCESSORIES

Product #	Description	Shipping Dimensions			Weight (lbs)
		W"	D"	H"	
SIH-FD	Faucet for drop in sink	9	5	3	2

>> **EFI Product Feature:** Shipping specifications are approximate. Units given in pounds or inches.

Specifications subject to change without notice.



Service & Mop Sinks

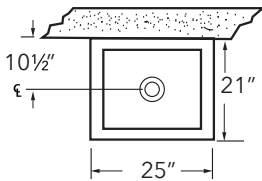


Service & Mop Sinks

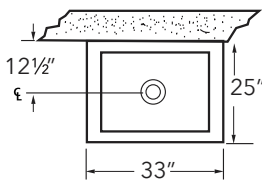
Features & Specifications

- Floor mounted unit eliminates the need for lifting heavy containers
- Tile edge furnished on the rear
- Rectangular designed bowls increase capacity
- 3½" drain
- All TIG welded
- Welded areas are blended to a satin finish to match adjacent surfaces
- Heavy gauge Type 304 stainless steel

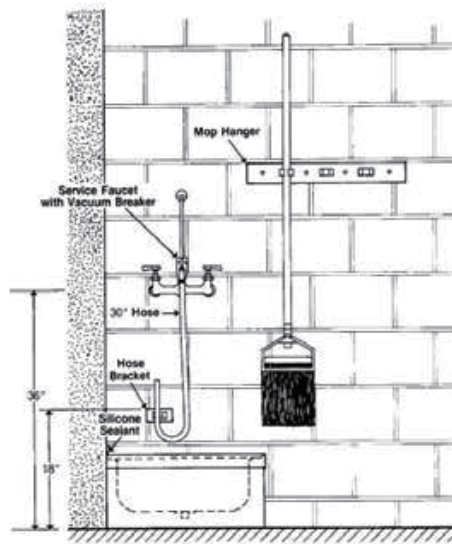
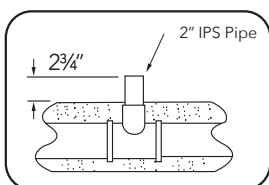
Product #	Overall Height	Shipping Dimensions			Weight (lbs)
		W"	D"	H"	
SIM2510	10	27	23	12	33
SIM2516	16	27	23	18	43
SIM3310	10	35	27	12	38
SIM3316	16	35	27	18	50



Refers to
SIM2510
SIM2516



Refers to
SIM3310
SIM3316



SIM2510



SIM2516



Specifications subject to change without notice.

Hand & Mop Sink Combination



Hand & Mop Sink Combination

Features

- Hand sink and mop combination
- 18 gauge, Type 304 stainless steel hand sink, cabinet body, mop sink and wall mount clips
- Hand sink 14" x 10" x 5" bowl
- Mop sink 15.5" x 16.9" x 6" bowl
- Gooseneck faucet included
- Hand sink 1½" drain basket included
- Mop sink 3½" drain basket included

Clean Up

Model	Width	Depth	Overall Height	Shipping Dimension			Weight (lbs)
				L	D	H	
SIMC1517	17"	15.3"	42"	17.7	16.1	35	49

>> **EFI Product Feature:** Shipping specifications are approximate. Units given in pounds or inches.

Specifications subject to change without notice.



Mop Sink Cabinets



Mop Sink Cabinets

Features

- Cabinet made of type 430 stainless steel
- Interior shelf and rack for easy storage
- Louvered sides promote air flow
- Bowl protects against splashing and overflow

Model	Overall Height (inch)	Shipping Dimension			Weight (lbs)
		L	D	H	
SIMC2510-S	25"X22-1/4"X84-1/4"	22-5/8"	25-1/4"	84"	171
SIMC2510-D	47-1/2"X22-1/4"X84-1/4"	22-5/8"	50-1/4"	84"	271

>> **EFI Product Feature:** Shipping specifications are approximate. Units given in pounds or inches.



Specifications subject to change without notice.

Detachable Drain Boards



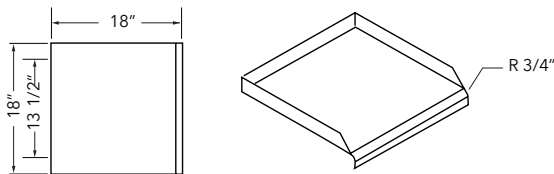
Detachable Drain Boards

Features & Specifications

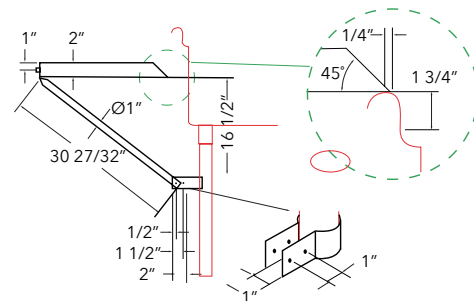
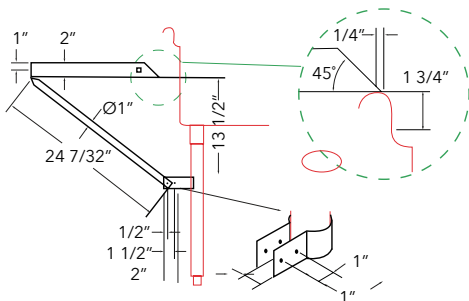
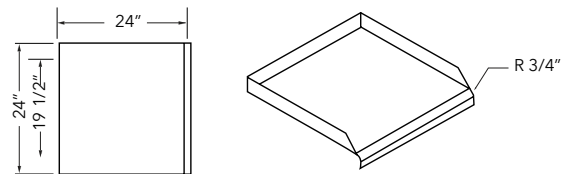
- 18 gauge type 304 stainless steel
- Easy installation
- Adjustable leg brackets for drain angle
- Universal left or right application

Product #	Description	Shipping Dimensions			Weight (lbs)
		W"	D"	H"	
SIA-18DB	Detachable drain board for 18" sink	20	25	5	13
SIA-24DB	Detachable drain board for 24" sink	26	27	5	16

18" X 18" DETACHABLE DRAIN BOARD DIMENSIONS



24" X 24" DETACHABLE DRAIN BOARD DIMENSIONS



Specifications subject to change without notice.

