



Equipment for the Foodservice Industry



# Tables by EFI



# Stainless Steel Worktables



## Stainless Steel Worktables

### Features

- Heavy duty, 18 gauge, Type 430 stainless steel top provides long life
- Top is TIG welded
- Entire top surface is machine polished to a satin finish
- Reinforced to exceed industry standards
- Galvanized hat channels are secured to top by structural adhesive and weld studs
- Gussets welded to support hat sections
- Hemmed edges provide strength and safety
- Simple assembly
- Shipped unassembled for reduced cost and space
- Galvanized legs and undershelf for durability and economy
- Die cast reinforced leg sockets for stability
- Legs are 1 5/8" diameter
- Adjustable ABS bullet feet to accommodate uneven flooring
- 84" and above have 6 legs

### 24" WORKTABLES

Product #	Width	Shipping Dimensions			Weight (lbs)
		L"	W"	H"	
T2424	24	36	26	3	41
T2430	30	36	26	3	45
T2436	36	38	26	3	50
T2448	48	50	26	3	60
T2460	60	62	26	3	71
T2472	72	74	26	3	81
T2484	84	86	26	3	100
T2496	96	98	26	3	110

### 30" WORKTABLES

Product #	Width	Shipping Dimensions			Weight (lbs)
		L"	W"	H"	
T3030	30	38	32	3	50
T3036	36	38	32	3	57
T3048	48	50	32	3	69
T3060	60	62	32	3	83
T3072	72	74	32	3	95
T3084	84	86	32	3	115
T3096	96	98	32	3	130

>> **EFI Product Feature:** Add-on under-shelves see page 158

Specifications subject to change without notice.



# All Stainless Steel Worktables



## All Stainless Steel Worktables

### Features

- Heavy duty, 18 gauge, Type 304 stainless steel top for easy cleaning and stain resistance
- Top is TIG welded
- Entire top surface is machine polished to a satin finish
- Reinforced to exceed industry standards
- Galvanized hat channels are secured to top by structural adhesive and weld studs
- Gussets welded to support hat sections
- Hemmed edges provide strength and safety
- Simple assembly
- Shipped unassembled for reduced cost and space
- Heavy duty Type 430 stainless steel legs and under-shelves for durability
- Die cast reinforced leg sockets for stability
- Legs are 1 5/8" diameter
- Adjustable ABS bullet feet to accommodate uneven flooring
- 84" and above have 6 legs

### 24" WORKTABLES

Product #	Width	Shipping Dimensions			Weight (lbs)
		L"	W"	H"	
TS2436	36	38	26	3	50
TS2448	48	50	26	3	60
TS2460	60	62	26	3	71
TS2472	72	74	26	3	81
TS2484	84	86	26	3	100
TS2496	96	98	26	3	110

### 30" WORKTABLES

Product #	Width	Shipping Dimensions			Weight (lbs)
		L"	W"	H"	
TS3036	36	38	32	3	57
TS3048	48	50	32	3	69
TS3060	60	62	32	3	83
TS3072	72	74	32	3	95
TS3084	84	86	32	3	115
TS3096	96	98	32	3	130

>> **EFI Product Feature:** Shipping specifications are approximate. Units given in pounds or inches.

*Specifications subject to change without notice.*



## Worktables with Backsplash



### Worktables with Backsplash

### Features

- Floor to table top height is 35" with an additional 4" rise for the backsplash
- Heavy duty, 18 gauge, Type 430 stainless steel top provides long life
- Top is TIG welded
- Entire top surface is machine polished to a satin finish
- Reinforced to exceed industry standards
- Galvanized hat channels are secured to top by structural adhesive and weld studs
- Gussets welded to support hat sections
- Hemmed edges provide strength and safety
- Simple assembly
- Shipped unassembled for reduced cost and space
- Galvanized legs and undershelf for durability and economy
- Die cast reinforced leg sockets for stability
- Legs are 1 5/8" diameter
- Adjustable ABS bullet feet to accommodate uneven flooring
- 84" and above have 6 legs

### 24" WORKTABLES WITH BACKSPLASH

Product #	Width	Shipping Dimensions			Weight (lbs)
		L"	W"	H"	
TB2424	24	36	27	7	44
TB2430	30	36	27	7	47
TB2436	36	38	27	7	52
TB2448	48	50	27	7	63
TB2460	60	62	27	7	75
TB2472	72	74	27	7	85
TB2484	84	86	27	7	104
TB2496	96	98	27	7	115

### 30" WORKTABLES WITH BACKSPLASH

Product #	Width	Shipping Dimensions			Weight (lbs)
		L"	W"	H"	
TB3018	18	37	33	7	40
TB3024	24	37	33	7	46
TB3030	30	36	33	7	52
TB3036	36	38	33	7	59
TB3048	48	50	33	7	72
TB3060	60	62	33	7	87
TB3072	72	74	33	7	99
TB3084	84	86	33	7	120
TB3096	96	98	33	7	135

Specifications subject to change without notice.



# Corner Worktables with Backsplash



## Corner Worktables with Backsplash Features

- Floor to table top height is 35" with an additional 4" rise for the backsplash
- Heavy duty, 18 gauge, Type 430 stainless steel top provides long life
- Top is TIG welded
- Entire top surface is machine polished to a satin finish
- Reinforced to exceed industry standards
- Galvanized hat channels are secured to top by structural adhesive and weld studs
- Gussets welded to support hat sections
- Hemmed edges provide strength and safety
- Simple assembly
- Shipped unassembled for reduced cost and space
- Galvanized legs and undershelf for durability and economy
- Die cast reinforced leg sockets for stability
- Legs are 1 5/8" diameter
- Adjustable ABS bullet feet to accommodate uneven flooring

### CORNER WORKTABLES 24" DEPTH

Product #	Width	Shipping Dimensions			Weight (lbs)
		L"	W"	H"	
TBC2424	32	32	32	35	50

### CORNER WORKTABLES 30" DEPTH

Product #	Width	Shipping Dimensions			Weight (lbs)
		L"	W"	H"	
TBC3030	38	38	38	35	57

>> **EFI Product Feature:** Shipping specifications are approximate. Units given in pounds or inches.

*Specifications subject to change without notice.*



## Worktables with Leg Braces



### Worktables with Leg Braces

### Features

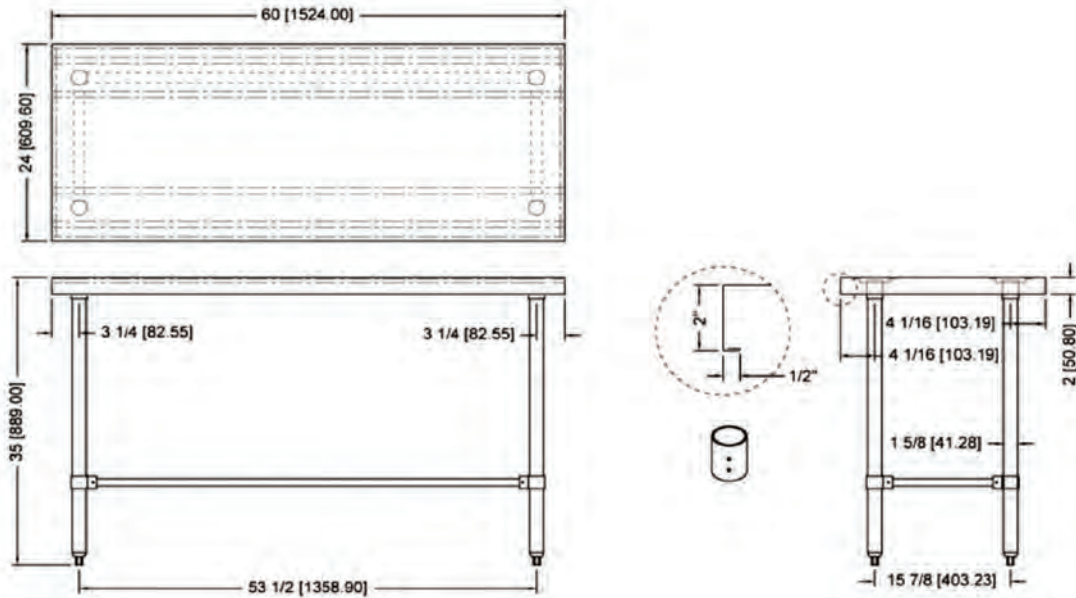
- Heavy duty, 18 gauge, Type 430 stainless steel top provides long life
- Top is TIG welded
- Entire top surface is machine polished to a satin finish
- Reinforced to exceed industry standards
- Galvanized hat channels are secured to top by structural adhesive and weld studs
- Gussets welded to support hat sections
- Hemmed edges provide strength and safety
- Simple assembly
- Shipped unassembled for reduced cost and space
- Galvanized legs and leg braces when you do not want or are unable to use an under-shelf for stability
- Die cast reinforced leg sockets for stability
- Legs are 1 5/8" diameter
- Adjustable ABS bullet feet to accommodate uneven flooring
- 84" and above have 6 legs

>> **EFI Product Feature:** Shipping specifications are approximate. Units given in pounds or inches.

*Specifications subject to change without notice.*



**Worktable with Leg Braces Specifications**



**24" WORKTABLES WITH LEG BRACES NO UNDER-SHELF**

Product #	Width	Shipping Dimensions			Weight (lbs)
		L"	W"	H"	
TLB2436	36	38	26	3	38
TLB2448	48	50	26	3	44
TLB2460	60	62	26	3	51
TLB2472	72	74	26	3	57
TLB2484	84	86	26	3	72
TLB2496	96	98	26	3	78

**30" WORKTABLES WITH LEG BRACES NO UNDER-SHELF**

Product #	Width	Shipping Dimensions			Weight (lbs)
		L"	W"	H"	
TLB3036	36	38	32	3	45
TLB3048	48	50	32	3	49
TLB3060	60	62	32	3	58
TLB3072	72	74	32	3	60
TLB3084	84	86	32	3	75
TLB3096	96	98	32	3	85



Specifications subject to change without notice.

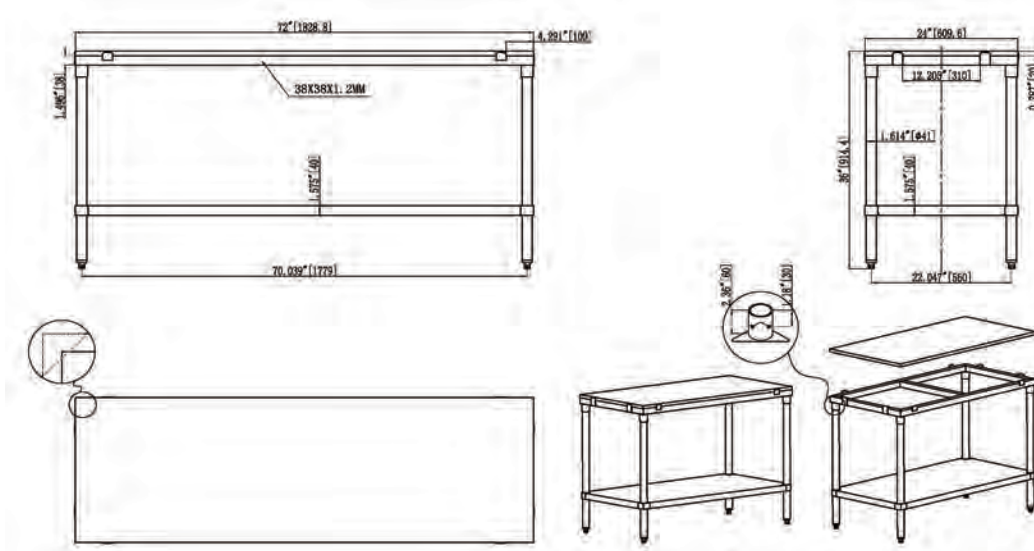
# Polyboard Tables



## Polyboard Tables

## Features

- 3/4" solid polyboard
- Convenient for butchers and commercial kitchens
- Stainless steel frame, legs and under shelf
- Welded leg gussets for added strength
- 1 5/8" tubular 403 stainless steel legs
- Welded tabs lock polyboard into place
- Shipped unassembled for reduced cost and space
- Easily Assembled
- Removable polyboard for easy cleaning
- Adjustable ABS bullet feet to accommodate uneven flooring
- 84" and above have 6 legs



>> **EFI Product Feature:** Shipping specifications are approximate. Units given in pounds or inches.

*Specifications subject to change without notice.*





Polyboard Tables

Specifications

**24" POLYBOARD  
TOP WORKTABLE**

Product #	Width	Shipping Dimensions			Weight (lbs)
		L"	W"	H"	
TP2436	36	38	25	7	35
TP2448	48	50	25	7	40
TP2460	60	62	25	7	45
TP2472	72	74	25	7	50
TP2484	84	86	25	7	55
TP2496	96	98	25	7	60

**30" POLYBOARD  
TOP WORKTABLE**

Product #	Width	Shipping Dimensions			Weight (lbs)
		L"	W"	H"	
TP3036	36	38	31	7	65
TP3048	48	50	31	7	70
TP3060	60	62	31	7	75
TP3072	72	74	31	7	80
TP3084	84	86	31	7	85
TP3096	96	98	31	7	90

**24" POLYBOARD  
REPLACEMENT  
TOP**

Product #	Width	Shipping Dimensions		
		L"	W"	H"
TP2436-P	36	38	25	1
TP2448-P	48	50	25	1
TP2460-P	60	62	25	1
TP2472-P	72	74	25	1
TP2484-P	84	86	25	1
TP2496-P	96	98	25	1

**30" POLYBOARD  
REPLACEMENT  
TOP**

Product #	Width	Shipping Dimensions		
		L"	W"	H"
TP3036-P	36	38	31	1
TP3048-P	48	50	31	1
TP3060-P	60	62	31	1
TP3072-P	72	74	31	1
TP3084-P	84	86	31	1
TP3096-P	96	98	31	1



Specifications subject to change without notice.

## Polyboard Tables with Backsplash



### Polyboard Tables with Backsplash

#### Features

- 3/4" solid polyboard
- 6" Stainless Steel Backsplash
- Backsplash protects against wall debris
- Convenient for butchers and commercial kitchens
- Stainless steel frame, legs and under shelf
- Welded leg gussets for added strength
- 1 5/8" tubular 403 stainless steel legs
- Welded tabs lock polyboard into place
- Shipped unassembled for reduced cost and space
- Easily Assembled
- Removable polyboard for easy cleaning
- Adjustable ABS bullet feet to accommodate uneven flooring
- 84" and above have 6 legs

>> **EFI Product Feature:** Shipping specifications are approximate. Units given in pounds or inches.

*Specifications subject to change without notice.*



**Polyboard Tables with Backsplash**

**Specifications**

**24" POLYBOARD  
TOP WORKTABLE  
WITH 6"  
BACKSPLASH**

Product #	Width	Shipping Dimensions			Weight (lbs)
		L"	W"	H"	
TPB2436	36	38	25	12	37
TPB2448	48	50	25	12	42
TPB2460	60	62	25	12	47
TPB2472	72	74	25	12	52
TPB2484	84	86	25	12	57
TPB2496	96	98	25	12	62

**30" POLYBOARD  
TOP WORKTABLE  
WITH 6"  
BACKSPLASH**

Product #	Width	Shipping Dimensions			Weight (lbs)
		L"	W"	H"	
TPB3036	36	38	31	12	67
TPB3048	48	50	31	12	72
TPB3060	60	62	31	12	77
TPB3072	72	74	31	12	82
TPB3084	84	86	31	12	87
TPB3096	96	98	31	12	92

**24" POLYBOARD  
REPLACEMENT  
TOP**

Product #	Width	Shipping Dimensions		
		L"	W"	H"
TPB2036-P	36	38	21	1
TPB2048-P	48	50	21	1
TPB2060-P	60	62	21	1
TPB2072-P	72	74	21	1
TPB2084-P	84	86	21	1
TPB2096-P	96	98	21	1

**30" POLYBOARD  
REPLACEMENT  
TOP**

Product #	Width	Shipping Dimensions		
		L"	W"	H"
TPB2636-P	36	38	27	1
TPB2648-P	48	50	27	1
TPB2660-P	60	62	27	1
TPB2672-P	72	74	27	1
TPB2684-P	84	86	27	1
TPB2696-P	96	98	27	1



Specifications subject to change without notice.

## Worktables with Sink



### Worktables with Sink

### Features

- Sinks come with 1 7/8" center drain hole and come with drain mini-basket
- Sinks come with 4" center pre-cut holes for standard deck mount faucet (faucet not included)
- Heavy duty, 18 gauge, Type 430 stainless steel top provides long life
- Top is TIG welded
- Entire top surface is machine polished to a satin finish
- Reinforced to exceed industry standards
- Galvanized hat channels are secured to top by structural adhesive and weld studs
- Gussets welded to support hat sections
- Hemmed edges provide strength and safety
- Simple assembly
- Shipped unassembled for reduced cost and space
- Galvanized legs and undershelf for durability and economy
- Die cast reinforced leg sockets for stability
- Legs are 1 5/8" diameter
- Adjustable ABS bullet feet to accommodate uneven flooring
- 84" and above have 6 legs

>> **EFI Product Feature:** Shipping specifications are approximate. Units given in pounds or inches.

*Specifications subject to change without notice.*



**Worktables with Sink**

**Specifications**

**WORKTABLES WITH SINK 24" DEPTH**

Product #	Width	Shipping Dimensions			Weight (lbs)
		L"	W"	H"	
TTUBL2448	48	50	26	14	86
TTUBR2448	48	50	26	14	86
TTUBL2460	60	62	26	14	98
TTUBR2460	60	62	26	14	98
TTUBL2472	72	74	26	14	111
TTUBR2472	72	74	26	14	111
TTUBL2484	84	86	26	14	125
TTUBR2484	84	86	26	14	125
TTUBL2496	96	98	26	14	136
TTUBR2496	96	98	26	14	136

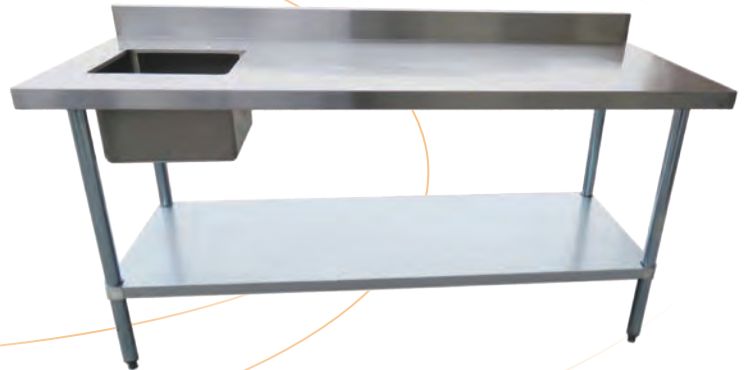
**WORKTABLES WITH SINK 30" DEPTH**

Product #	Width	Shipping Dimensions			Weight (lbs)
		L"	W"	H"	
TTUBL3048	48	50	32	14	95
TTUBR3048	48	50	32	14	95
TTUBL3060	60	62	32	14	110
TTUBR3060	60	62	32	14	110
TTUBL3072	72	74	32	14	125
TTUBR3072	72	74	32	14	125
TTUBL3084	84	86	32	14	140
TTUBR3084	84	86	32	14	140
TTUBL3096	96	98	32	14	156
TTUBR3096	96	98	32	14	156



*Specifications subject to change without notice.*

## Worktables with Sink with Backsplash



### Worktables with Sink with Backsplash

#### Features

- Sinks come with 1 7/8" center drain hole and come with drain mini-basket
- Sinks come with 4" center pre-cut holes for standard deck mount faucet (faucet not included)
- Heavy duty, 18 gauge, Type 430 stainless steel top provides long life
- Top is TIG welded
- Entire top surface is machine polished to a satin finish
- Reinforced to exceed industry standards
- Galvanized hat channels are secured to top by structural adhesive and weld studs
- Gussets welded to support hat sections
- Hemmed edges provide strength and safety
- Simple assembly
- Shipped unassembled for reduced cost and space
- Galvanized legs and undershelf for durability and economy
- Die cast reinforced leg sockets for stability
- Legs are 1 5/8" diameter
- Adjustable ABS bullet feet to accommodate uneven flooring
- 84" and above have 6 legs

>> **EFI Product Feature:** Shipping specifications are approximate. Units given in pounds or inches.

*Specifications subject to change without notice.*



**Woktables with Sink with Backsplash Specifications**

**WORKTABLES WITH SINK AND BACKSPLASH 24" DEPTH**

Product #	Width	Shipping Dimensions			Weight (lbs)
		L"	W"	H"	
TTUBL2448-B	48	50	26	15	95
TTUBR2448-B	48	50	26	15	95
TTUBL2460-B	60	62	26	15	113
TTUBR2460-B	60	62	26	15	113
TTUBL2472-B	72	74	26	15	119
TTUBR2472-B	72	74	26	15	119
TTUBL2484-B	84	86	26	15	125
TTUBR2484-B	84	86	26	15	125
TTUBL2496-B	96	98	26	15	136
TTUBR2496-B	96	98	26	15	136

**WORKTABLES WITH SINK AND BACKSPLASH 30" DEPTH**

Product #	Width	Shipping Dimensions			Weight (lbs)
		L"	W"	H"	
TTUBL3048-B	48	50	32	15	104
TTUBR3048-B	48	50	32	15	104
TTUBL3060-B	60	62	32	15	117
TTUBR3060-B	60	62	32	15	117
TTUBL3072-B	72	74	32	15	133
TTUBR3072-B	72	74	32	15	133
TTUBL3084-B	84	86	32	15	148
TTUBR3084-B	84	86	32	15	148
TTUBL3096-B	96	98	32	15	164
TTUBR3096-B	96	98	32	15	164

Tables



Specifications subject to change without notice.

## Enclosed Bases with or without Backsplash



### Enclosed Bases

### Features

- Keep the work area cleaner and free of clutter
- Available with or without a 4" backsplash
- Sliding doors for access to under table storage
- Heavy duty, 18 gauge, Type 430 stainless steel top provides long life
- Top is TIG welded
- Entire top surface is machine polished to a satin finish
- Reinforced to exceed industry standards
- Galvanized hat channels are secured to top by structural adhesive and weld studs
- Gussets welded to support hat sections
- Hemmed edges provide strength and safety
- Simple assembly
- Shipped unassembled for reduced cost and space
- Galvanized legs and undershelf for durability and economy
- Sides and doors made with 18 gauge Type 430 stainless steel
- Die cast reinforced leg sockets for stability
- Legs are 1 5/8" diameter
- Adjustable ABS bullet feet to accommodate uneven flooring
- 84" and above have 6 legs

>> **EFI Product Feature:** Shipping specifications are approximate. Units given in pounds or inches.

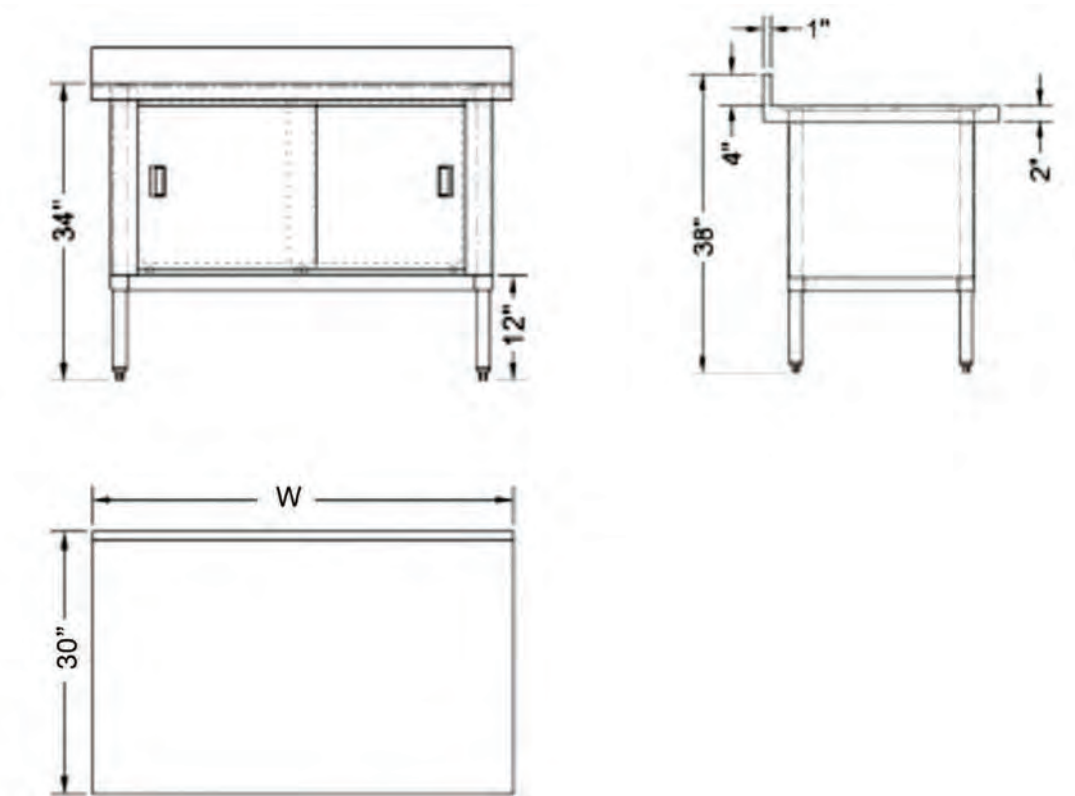
*Specifications subject to change without notice.*





Enclosed Bases

Specifications



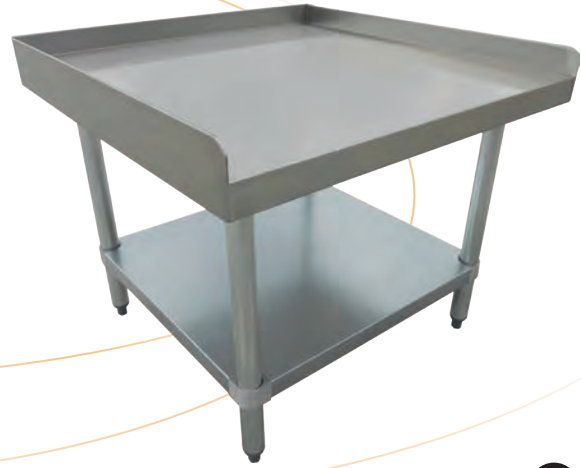
ENCLOSED BASES

Product #	Width	Shipping Dimensions			Weight (lbs)
		L"	W"	H"	
TEC3048	48	51	33	8	125
TEC3060	60	63	33	8	147
TEC3072	72	75	33	8	169
TEC3084	84	87	33	8	198
TEC3096	96	99	33	8	218

ENCLOSED BASES WITH BACKSPLASH

Product #	Width	Shipping Dimensions			Weight (lbs)
		L"	W"	H"	
TECB3048	48	51	33	12	131
TECB3060	60	63	33	12	153
TECB3072	72	75	33	12	175
TECB3084	84	87	33	12	206
TECB3096	96	99	33	12	228

## Equipment Stands



### Equipment Stands

### Features

- 1 1/2" riser on three sides to securely hold equipment in place
- Heavy duty, 18 gauge, Type 430 stainless steel top provides long life
- Top is TIG welded
- Entire top surface is machine polished to a satin finish
- Reinforced to exceed industry standards
- Galvanized hat channels are secured to top by structural adhesive and weld studs
- Gussets welded to support hat sections
- Hemmed edges provide strength and safety
- Simple assembly
- Shipped unassembled for reduced cost and space
- Galvanized legs and undershelf for durability and economy
- Die cast reinforced leg sockets for stability
- Legs are 1 5/8" diameter
- Adjustable ABS bullet feet to accommodate uneven flooring

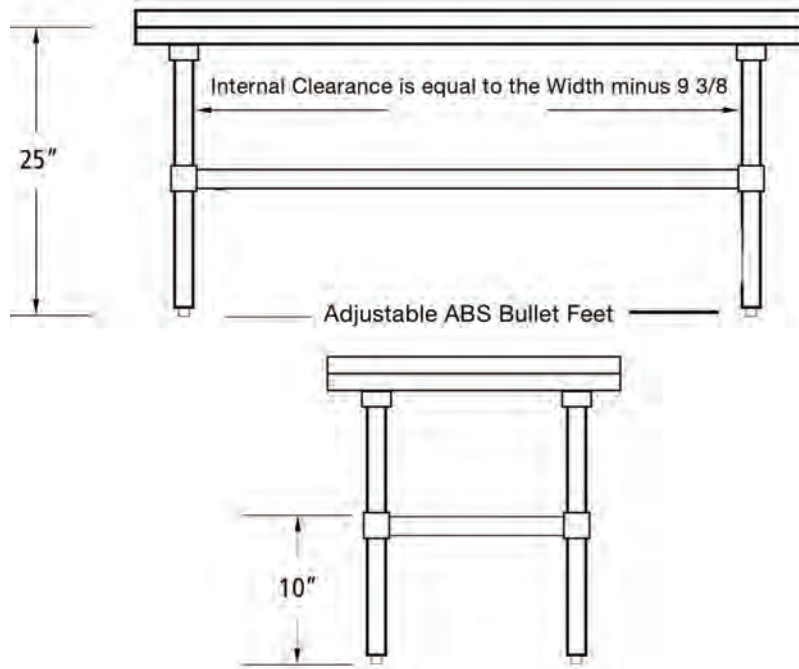
>> **EFI Product Feature:** Shipping specifications are approximate. Units given in pounds or inches.

*Specifications subject to change without notice.*



Equipment Stands

Specifications



Tables

EQUIPMENT STANDS 24" DEPTH

Product #	Width	Shipping Dimensions			Weight (lbs)
		L"	W"	H"	
TES2412	12	14	26	5	31
TES2414	14	16	26	5	33
TES2416	16	18	26	5	35
TES2418	18	20	26	5	38
TES2424	24	26	26	5	40
TES2430	30	32	26	5	45
TES2436	36	38	26	5	49
TES2448	48	50	26	5	60
TES2460	60	62	26	5	80
TES2472	72	74	26	5	98

EQUIPMENT STANDS 30" DEPTH

Product #	Width	Shipping Dimensions			Weight (lbs)
		L"	W"	H"	
TES3012	12	14	32	5	32
TES3014	14	16	32	5	34
TES3016	16	18	32	5	37
TES3018	18	20	32	5	40
TES3024	24	26	32	5	48
TES3030	30	32	32	5	52
TES3036	36	38	32	5	57
TES3044	44	46	32	5	65
TES3048	48	50	32	5	69
TES3060	60	62	32	5	75
TES3072	72	74	32	5	100



Specifications subject to change without notice.

## Worktable Under-Shelves

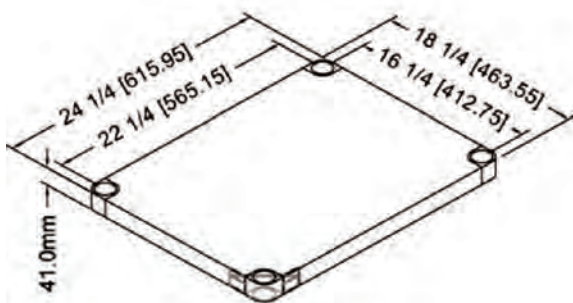


WORKTABLE WITH OPTIONAL ADD ON SHELF

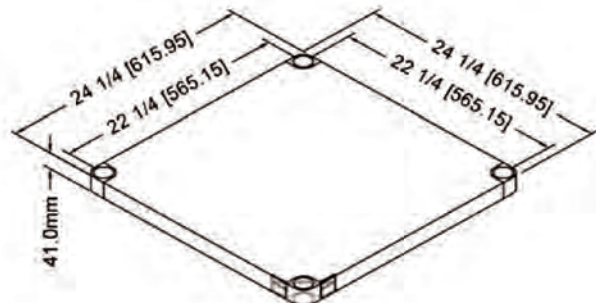
### Worktable Under-Shelves

### Features

- Worktable image created using the following products (Product T2460; Product TUG2460)
- Optional swivel casters, stainless steel legs and leg braces are available.
- 84" and above have 6 legs



TUG2430



TUG3030

>> **EFI Product Feature:** Shipping specifications are approximate. Units given in pounds or inches.

*Specifications subject to change without notice.*



**Worktable Under-Shelves**

**Specifications**

**ADD-ON 24" UNDER-SHELVES IN STAINLESS OR GALVANIZED STEEL**

Galvanized	Stainless	Width	Shipping Dimensions			Weight (lbs)
			L"	W"	H"	
TUG2424	TUS2424	18	19	25	2	8
TUG2430	TUS2430	24	25	25	2	11
TUG2436	TUS2436	30	31	25	2	14
TUG2448	TUS2448	42	43	25	2	20
TUG2460	TUS2460	54	55	25	2	32
TUG2472	TUS2472	66	67	25	2	35
TUG2484	TUS2484	78	79	25	2	39
TUG2496	TUS2496	90	91	25	2	44

**ADD-ON 30" UNDER-SHELVES IN STAINLESS OR GALVANIZED STEEL**

Galvanized	Stainless	Width	Shipping Dimensions			Weight (lbs)
			L"	W"	H"	
TUG3030	TUS3030	24	25	31	2	15
TUG3036	TUS3036	30	31	31	2	22
TUG3048	TUS3048	42	43	31	2	31
TUG3060	TUS3060	54	55	31	2	37
TUG3072	TUS3072	66	67	31	2	45
TUG3084	TUS3084	78	79	31	2	54
TUG3096	TUS3096	90	91	31	2	60

**Optional Worktable Accessories**

**Features**

- All bullet feet shown below are designed to fit 1 5/8" tubular legs

**ADJUSTABLE BULLET FEET**



- Zinc alloy
- Product # TZABF158



- Plastic
- Product # TPBF158



- Stainless steel
- Product # TSSFF185



- Plastic, stainless steel
- Product # TSPFB158



Specifications subject to change without notice.

# Optional Worktable Accessories & Drawers



### Optional Worktable Accessories

### Features

For In-Field Adjustments:

#### LEG BRACES

- Provide the option for an infield adjustment to use leg braces for stability when not using the under-shelf
- Complete set with braces and attachments

#### LEGS

- Convert an existing table to an all-stainless steel table by adding a set of stainless steel legs
- Easily convert a worktable to a mobile station by ordering optional legs with casters - Kit contains 4 legs: 2 casters with brakes and 2 casters without brakes

#### CASTERS

- Add 5" casters to create a mobile work table
- Casters are available with or without brakes



OPTIONAL CASTER WITH BRAKE



OPTIONAL CASTER WITHOUT BRAKE

#### OPTIONAL SWIVEL CASTERS

Product #	Size
TC5BR (With Brake)	5"
TC5 (Without Brake)	5"

#### OPTIONAL LEGS WITH CASTERS (SET OF 4 - 2 w/ brakes, 2 w/out brakes)

Product #	Height	Shipping Dimensions			Weight (lbs)
		L"	W"	H"	
TCL34	34"	42	13	4	20

#### OPTIONAL STAINLESS STEEL LEGS (SET OF 4)

Product #	Height	Shipping Dimensions			Weight (lbs)
		L"	W"	H"	
TSL30	34"	36	4	4	15

>> **EFI Product Feature:** Shipping specifications are approximate. Units given in pounds or inches.

*Specifications subject to change without notice.*



## Optional Worktable Accessories

## Specifications

### OPTIONAL LEG BRACES FOR 24" DEEP TABLES

Product #	Shipping Dimensions			Weight (lbs)
	L"	W"	H"	
TLBR2430	30	5	2	4
TLBR2436	31	5	2	5
TLBR2448	43	5	2	6
TLBR2460	55	5	2	6
TLBR2472	66	5	2	7
TLBR2484	46	8	2	8
TLBR2496	48	8	2	9

### OPTIONAL LEG BRACES FOR 30" DEEP TABLES

Product #	Shipping Dimensions			Weight (lbs)
	L"	W"	H"	
TLBR3030	25	5	2	5
TLBR3036	31	5	2	5
TLBR3048	42	5	2	7
TLBR3060	54	5	2	7
TLBR3072	66	5	2	8
TLBR3084	42	8	2	9
TLBR3096	48	8	2	10

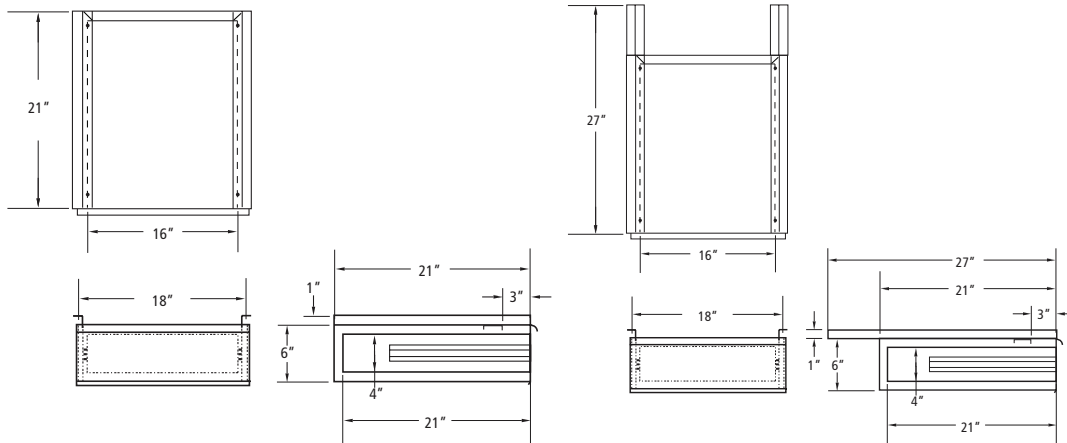
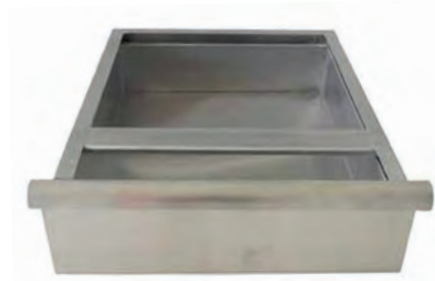
## Stainless Steel Drawers

## Features

- Made with Type 430 stainless steel
- Drawers and frames made with 20 gauge
- Mounting brackets made with 16 gauge

### STAINLESS STEEL DRAWERS

Product #	Shipping Dimensions			Weight (lbs)
	L"	W"	H"	
TDW24	21	25	8	26
TDW30	21	25	8	26



## Stainless Steel Over-Shelves



### Stainless Steel Over-Shelves

### Features

- Available in 3 different depths of shelves; 12",14"and 18"
- Shelves are made with heavy duty,18 gauge, Type 430 stainless steel for prolonged life
- Shelves are TIG welded
- Exposed surfaces are machine polished to a satin finish
- Shelf sides have square edges
- Stainless steel posts are included
- Simple assembly
- Post brackets will attach to table top for stability and security
- 84" and above have middle support



>> **EFI Product Feature:** Shipping specifications are approximate. Units given in pounds or inches.

*Specifications subject to change without notice.*





# Tables

## Stainless Steel Over-Shelves

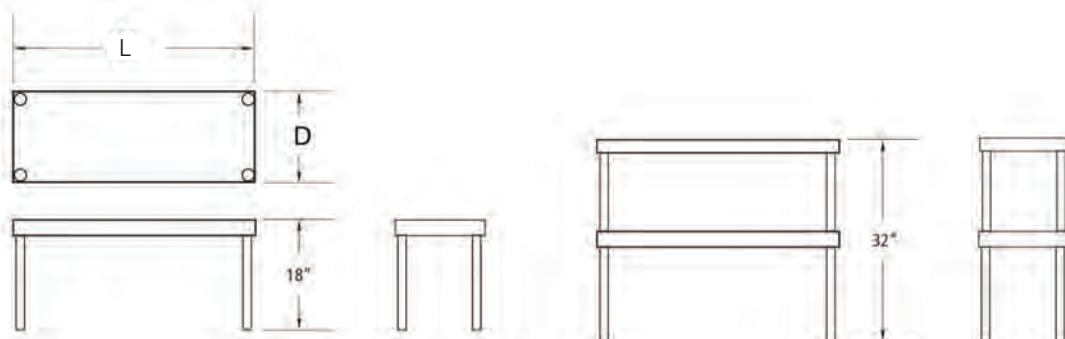
## Specifications

### SINGLE OVER-SHELVES

Product #	Width	Shipping Dimensions			Weight (lbs)
		L"	W"	H"	
<b>SINGLE</b>					
TOS1230	30	32	14	3	25
TOS1236	36	38	14	3	29
TOS1248	48	50	14	3	37
TOS1260	60	62	14	3	43
TOS1272	72	74	14	3	51
TOS1284	84	86	14	3	60
TOS1296	96	98	14	3	65
TOS1430	30	32	16	3	28
TOS1436	36	38	16	3	31
TOS1448	48	50	16	3	37
TOS1460	60	62	16	3	47
TOS1472	72	74	16	3	55
TOS1484	84	86	16	3	63
TOS1496	96	98	16	3	71
TOS1830	30	32	20	3	31
TOS1836	36	38	20	3	33
TOS1848	48	50	20	3	45
TOS1860	60	62	20	3	53
TOS1872	72	74	20	3	62
TOS1884	84	86	20	3	72
TOS1896	96	98	20	3	78

### DOUBLE OVER-SHELVES

Product #	Width	Shipping Dimensions			Weight (lbs)
		L"	W"	H"	
<b>DOUBLE</b>					
TOD1230	30	32	14	4	41
TOD1236	36	38	14	4	45
TOD1248	48	50	14	4	52
TOD1260	60	62	14	4	59
TOD1272	72	74	14	4	67
TOD1284	84	86	14	4	74
TOD1296	96	98	14	4	81
TOD1430	30	32	16	4	43
TOD1436	36	38	16	4	47
TOD1448	48	50	16	4	54
TOD1460	60	62	16	4	62
TOD1472	72	74	16	4	70
TOD1484	84	86	16	4	78
TOD1496	96	98	16	4	86
TOD1830	30	32	20	4	46
TOD1836	36	38	20	4	51
TOD1848	48	50	20	4	60
TOD1860	60	62	20	4	69
TOD1872	72	74	20	4	78
TOD1884	84	86	20	4	87
TOD1896	96	98	20	4	93



Specifications subject to change without notice.

# Economy Stainless Steel Worktables



## Economy Stainless Steel Worktables Features

- Heavy duty, 18 gauge, Type 430 stainless steel top provides long life
- Top is TIG welded
- Entire top surface is machine polished to a satin finish
- Reinforced to exceed industry standards
- Galvanized hat channels are secured to top by structural adhesive and weld studs
- Gussets welded to support hat sections
- Hemmed edges provide strength and safety
- Simple assembly
- Shipped unassembled for reduced cost and space
- Galvanized legs and undershelf for durability and economy
- Under shelf has a welded leg support collar
- Legs are 1 5/8" diameter
- Adjustable ABS bullet feet to accommodate uneven flooring
- 84" and above have 6 legs

### 24" ECONOMY WORKTABLES

Product #	Width	Shipping Dimensions			Weight (lbs)
		L"	W"	H"	
T2424E	24	36	26	3	41
T2430E	30	36	26	3	45
T2436E	36	38	26	3	50
T2448E	48	50	26	3	60
T2460E	60	62	26	3	71
T2472E	72	74	26	3	81
T2484E	84	86	26	3	100
T2496E	96	98	26	3	110

### 30" ECONOMY WORKTABLES

Product #	Width	Shipping Dimensions			Weight (lbs)
		L"	W"	H"	
T3024E	24	36	32	3	45
T3030E	30	36	32	3	50
T3036E	36	38	32	3	57
T3048E	48	50	32	3	69
T3060E	60	62	32	3	83
T3072E	72	74	32	3	95
T3084E	84	86	32	3	115
T3096E	96	98	32	3	130

Specifications subject to change without notice.



# Dish Cabinets



## Dish Cabinets

## Features

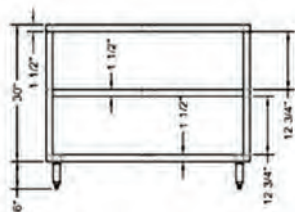
- Heavy duty, 18 gauge, Type 430 stainless steel provides long life
- Reinforced to exceed industry standards
- Hemmed edges provide strength and safety
- Shipped with legs not attached
- Die cast reinforced leg sockets for stability
- Legs are 1 5/8" diameter
- Adjustable ABS bullet feet to accommodate uneven flooring
- 84" and above have 6 legs

### DISH CABINETS 15" DEPTH

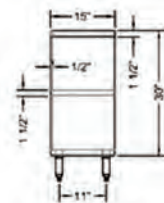
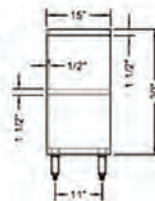
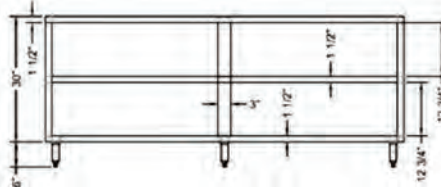
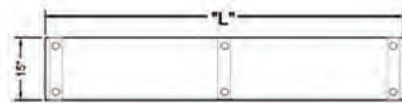
Product #	Width	Shipping Dimensions			Weight (lbs)
		L"	W"	H"	
TDC1548	48	50	16	31	75
TDC1560	60	62	16	31	93
TDC1572	72	74	16	31	111
TDC1584	84	86	16	31	133
TDC1596	96	98	16	31	153

### DISH CABINETS 20" DEPTH

Product #	Width	Shipping Dimensions			Weight (lbs)
		L"	W"	H"	
TDC2048	48	50	21	31	75
TDC2060	60	62	21	31	93
TDC2072	72	74	21	31	111
TDC2084	84	86	21	31	133
TDC2096	96	98	21	31	153

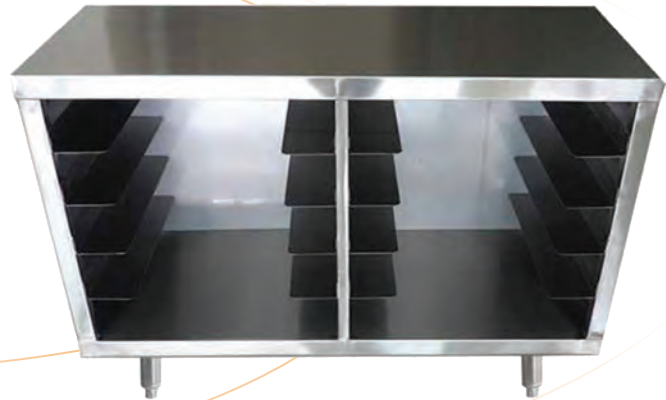


(Drawings have same dimensions for both 15" and 20" aside from the depth.)



Specifications subject to change without notice.

# Dish Rack Cabinets



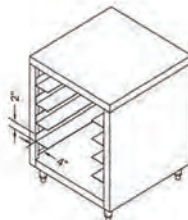
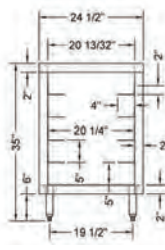
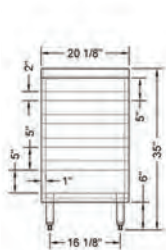
## Dish Rack Cabinets

## Features

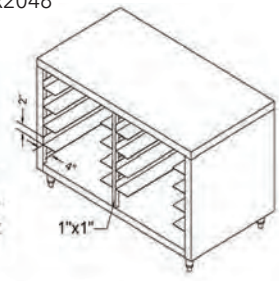
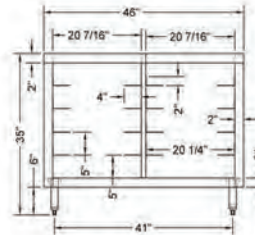
- High usage items can remain in dish racks, which will improve efficiency by reduced handling
- Heavy duty, 18 gauge, Type 430 stainless steel provides long life
- Reinforced to exceed industry standards
- Hemmed edges provide strength and safety
- Shipped with legs not attached
- Die cast reinforced leg sockets for stability
- Legs are 1 5/8" diameter
- Adjustable ABS bullet feet to accommodate uneven flooring

Product #	Width	Shipping Dimensions			Weight (lbs)
		L"	W"	H"	
TDR2024	24	27	22	31	133
TDR2046	46	47	22	31	155

TDR2024



TDR2046



>> **EFI Product Feature:** Shipping specifications are approximate. Units given in pounds or inches.

*Specifications subject to change without notice.*

