



Intelli-Flo ELECTRONIC FAUCETS

Model No.	Mounting Type
KE19-1000-SC1	Wall Mount, Battery Powered, 3" Gooseneck Spout, 0.5 gpm PCA Spray Aerator
KE19-1000-SD1	Wall Mount, Battery Powered, 3" Gooseneck Spout, 1.5 gpm PCA Spray Aerator
KE19-1002-SC1	Wall Mount, Battery Powered, 6" Gooseneck Spout, 0.5 gpm PCA Spray Aerator
KE19-1100-SD1	Wall Mount, AC/DC Powered, 3" Gooseneck Spout, 1.5 gpm PCA Spray Aerator
KE19-1102-SD1	Wall Mount, AC/DC Powered, 6" Gooseneck Spout, 1.5 gpm PCA Spray Aerator



Intelli-Flo ELECTRONIC HAND SINK WITH THERMOSTATIC MIXING VALVE LESS SIDE SPLASH

Model No.	Power	Aerator
KE25-B031-CA1	Battery	0.5GPM PCA Spray, Vandal Resistant
KE25-B131-CA1	AC/DC*	0.5GPM PCA Spray, Vandal Resistant
KE25-B031-CB1	Battery	1.5GPM Laminar Flow, Antimicrobial and Vandal Resistant
KE25-B131-CB1	AC/DC*	1.5GPM Laminar Flow, Antimicrobial and Vandal Resistant

*Includes 9V 800 mA UL listed adapter, US plug.



Intelli-Flo ELECTRONIC HAND SINK WITH THERMOSTATIC MIXING VALVE AND SIDE SPLASH

Model No.	Power	Aerator
KE28-B031-CA1	Battery	0.5GPM PCA Spray, Vandal Resistant
KE28-B131-CA1	AC/DC*	0.5GPM PCA Spray, Vandal Resistant
KE28-B031-CB1	Battery	1.5GPM Laminar Flow, Antimicrobial and Vandal Resistant
KE28-B131-CB1	AC/DC*	1.5GPM Laminar Flow, Antimicrobial and Vandal Resistant

*Includes 9V 800 mA UL listed adapter, US plug.



STAINLESS STEEL WALL MOUNTED HANDSINK WITH SIDE SPLASH AND SPLASH MOUNT FAUCET

Model	Faucet
FS17D141005K3	TLL15-4000SE1
FS17D-14105H1	KHS15-4000



STAINLESS STEEL WALL MOUNTED HANDSINK WITH SPLASH MOUNT FAUCET AND MINI BASKET DRAIN

Model	Faucet
FS20-101405K5	TLL15-4000SE1
FS20-101405H1	KHS15-4000



STAINLESS STEEL WALL MOUNTED HANDSINK WITH SIDE SPLASH AND SPLASH MOUNT FAUCET

Model	Description
FS17D-10145AK1	Double Pedal



LEVER HANDLE WASTE OUTLETS

Model No.	Drain Type	Sink Opening Dia.	NPS*	Face Flange Dia.	Strainer Type
D10-7400	Capped Overflow	3-1/2" (89mm)	2"	4-1/2" (114mm)	Flat



COMPLETE WATER STATION WITH GLASS FILLER

Model No.	Size
K27-1000	8" (203mm) Riser
K27-2000	12" (305mm) Riser



TWIST HANDLE WASTE OUTLETS

Model No.	Drain Type	Sink Opening Dia.	NPS*	Face Flange Dia.	Strainer Type
D50-7200	Capped Overflow	3-1/2" (89mm)	2"	4-1/2" (114mm)	Flat



DUAL PEDAL FOOT VALVE

Model No.
KL25-1000-Z

HANDSINKS, DROP IN, WITHOUT FAUCETS FS17 SERIES



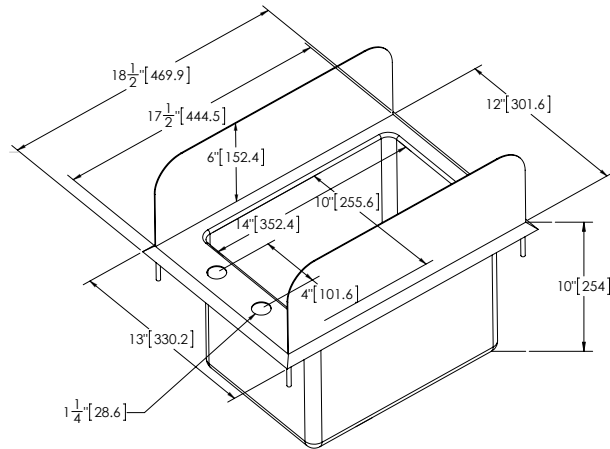
FS17D-1014-10 Series



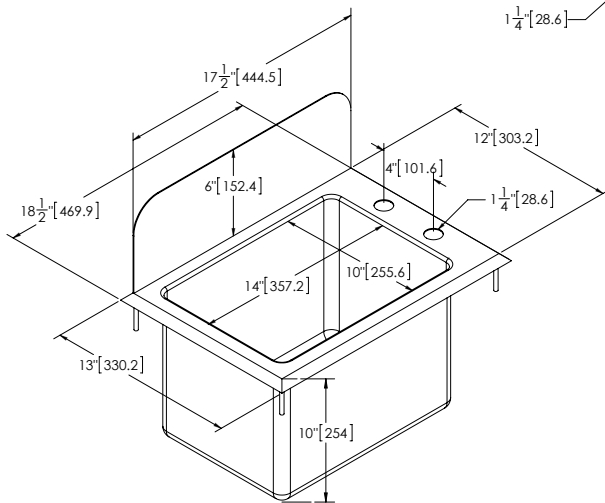
FS17L-1014-10 Series



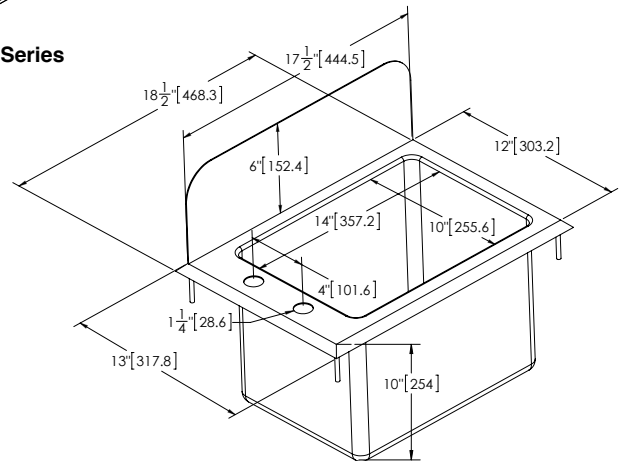
FS17R-1014-10 Series



FS17D-1014-10 Series



FS17L-1014-10 Series



FS17R-1014-10 Series

Encore® Stainless Steel Drop In Handsink

- One piece 16 ga. stainless welded construction
- Integral counter top with sink bowl and splash design
- Sink bowl has large radii and rectangular design
- Sink bowl accepts 3-1/2" NPS stainless steel mini-basket drain (included)

Model	Bowl Size	Gauge	Side Splash
FS17D-1014-10	10"L x 14"W x 10"D (254mm x 356mm x 254mm)	16	Double
FS17L-1014-10	10"L x 14"W x 10"D (254mm x 356mm x 254mm)		Left
FS17R-1014-10	10"L x 14"W x 10"D (254mm x 356mm x 254mm)		Right

For additional technical information visit our website for specification sheets.

HAND SINKS



STAINLESS STEEL WALL MOUNT HANDSINK WITH SIDE SPLASH

Model	Size
FS17D-1410-05XZ	10"L x 14"W x 5"D (254mm x 356mm x 127mm)



STAINLESS STEEL SPACE SAVER WALL MOUNT HANDSINK

Model	Size
FS18-090905B2	9"L x 9"W x 5"D (229mm x 229mm x 127mm)



STAINLESS STEEL WALL MOUNT HANDSINKS

Model No.	Description	Size
FS2010145B1XZ	Single Splash Mounting Hole	10"L x 14"W x 5"D (254mm x 356mm x 127mm)
FS2010145B2XZ	Double Splash Mounting Hole	10"L x 14"W x 5"D (254mm x 356mm x 127mm)
FS2010145D2XZ	Double Deck Mounting Hole	10"L x 14"W x 5"D (254mm x 356mm x 127mm)



STAINLESS STEEL WALL MOUNT HANDSINK WITH SIDE SPLASH AND SPLASH MOUNT FAUCET

Model	Description
FS17D-10145AK1	Double Pedal
FS17D-10145AK2	Single Pedal



STAINLESS STEEL WALL MOUNT HANDSINK WITH SIDE SPLASH AND SPLASH MOUNT FAUCET

Model	Faucet
FS17D141005K3	TLL15-4000SE1
FS17D-14105H1	KHS15-4000



STAINLESS STEEL SPACE SAVER WALL MOUNT HANDSINK WITH SPLASH MOUNT FAUCET

Model	Faucet
FS18-090905L3	TLL15-4000SE1
FS18-090905H1	KHS15-4000



STAINLESS STEEL WALL MOUNTED HANDSINK WITH SPLASH MOUNT FAUCET AND MINI BASKET DRAIN

Model	Faucet
FS20-101405K5	TLL15-4000SE1
FS20-101405H1	KHS15-4000



STAINLESS STEEL WALL MOUNTED HANDSINK WITH DECK MOUNT FAUCET

Model	Faucet
FS20-101405H2	KHS11-4000
FS20-10145DK1	TLL11-4000SE1



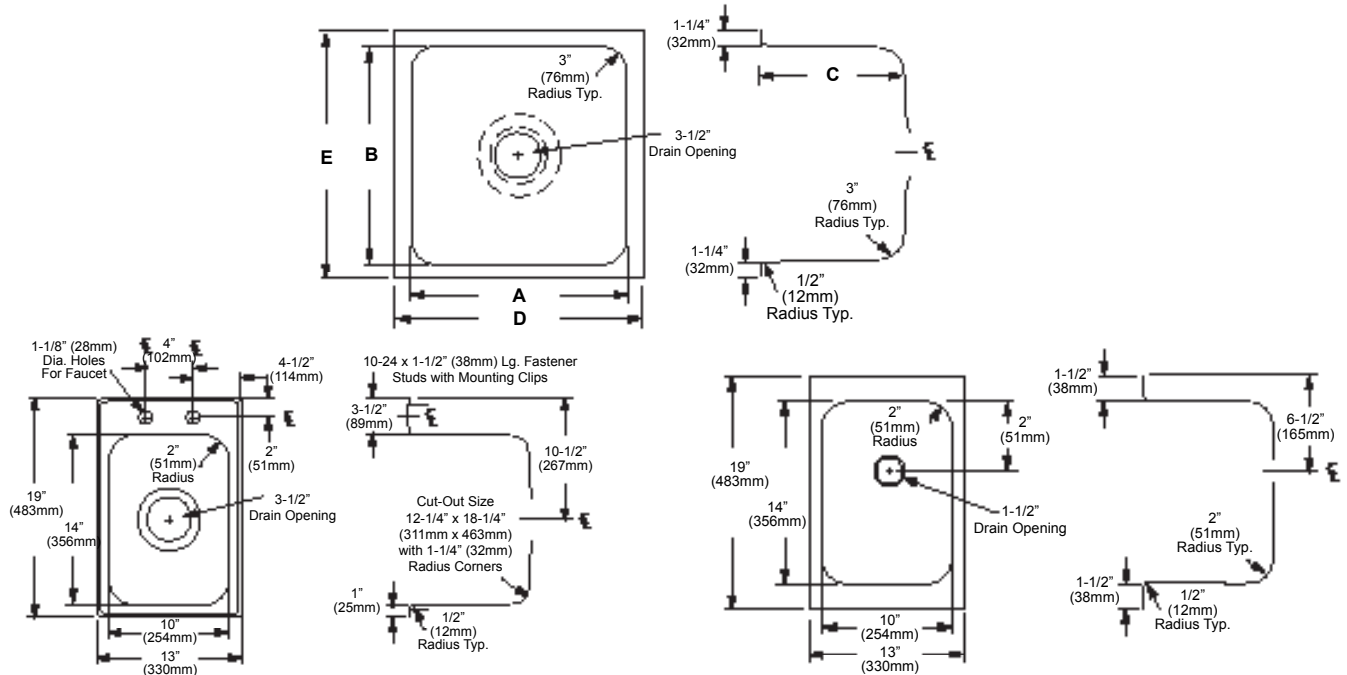
Standard Type

Drop-In Type

Bar Type

Encore® Drawn Stainless Steel Sink Bowls

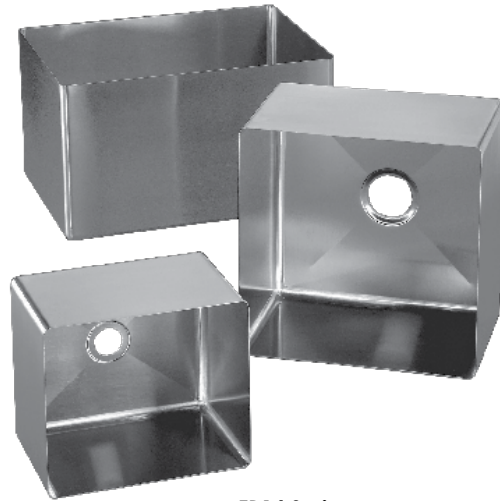
Pot Sinks • Bar Sinks • Dish Sinks • Prep Sinks • Utility Sinks • Mop Sinks • Self-Rim Sinks
 • Pre-Rinse Sinks • Soak Sinks • Service Sinks • Scullery Sinks



Model	Bowl Size A x B x C	Gauge	Trim Size D x E	Type
1416A-12	14" x 16" x 12"dp. (356mm x 406mm x 305mm)	18 (1.2mm)	16-1/2" x 18-1/2" (419mm x 470mm)	Standard
1620A-08	16" x 20" x 8"dp. (406mm x 508mm x 203mm)		18-1/2" x 22-1/2" (470mm x 572mm)	
1620A-10	16" x 20" x 10"dp. (406mm x 508mm x 254mm)		18-1/2" x 22-1/2" (470mm x 572mm)	
1620A-12	16" x 20" x 12"dp. (406mm x 508mm x 305mm)		18-1/2" x 22-1/2" (470mm x 572mm)	
1620A-14A	16" x 20" x 14"dp. (406mm x 508mm x 356mm)	14 (1.9mm)	18-1/2" x 22-1/2" (470mm x 572mm)	
2020A-10	20" x 20" x 10"dp. (508mm x 508mm x 254mm)	18 (1.2mm)	22-1/2" x 22-1/2" (572mm x 572mm)	
2020A-12	20" x 20" x 12"dp. (508mm x 508mm x 305mm)		22-1/2" x 22-1/2" (572mm x 572mm)	
2020A-14A	20" x 20" x 14"dp. (508mm x 508mm x 356mm)	14 (1.9mm)	22-1/2" x 22-1/2" (572mm x 572mm)	
2424A-14A	24" x 24" x 14"dp. (610mm x 610mm x 356mm)		26-1/2" x 26-1/2" (673mm x 673mm)	
1014B-05	10" x 14" x 5"dp. (254mm x 356mm x 127mm)	20 (.9mm)	13" x 19" (330mm x 482mm)	Drop-In
1014B-10B	10" x 14" x 10"dp. (254mm x 356mm x 254mm)	18 (1.2mm)	13" x 19" (330mm x 482mm)	
1014A-10	10" x 14" x 10"dp. (254mm x 355mm x 254mm)	20 (.9mm)	13" x 19" (330mm x 457mm)	Bar
1014A-10A	10" x 14" x 10"dp. (254mm x 355mm x 254mm)	18 (1.2mm)	13" x 19" (330mm x 457mm)	

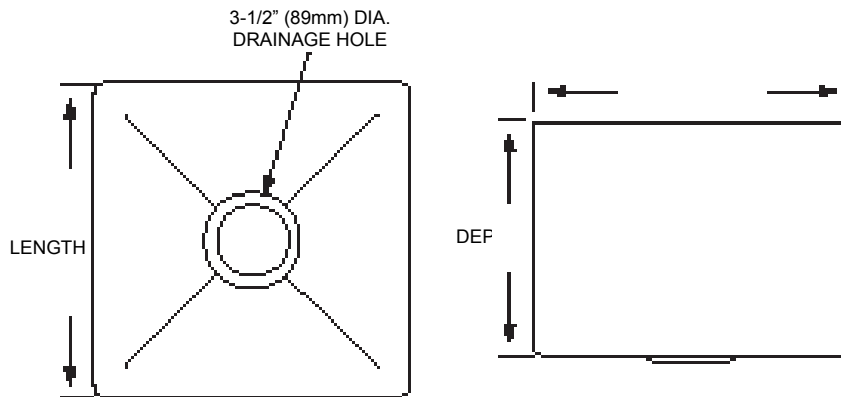
NOTE: Drop-in type sink bowls accept standard 3-1/2" (89mm) basket sink drains. Bar type sink bowls accept standard 1-1/2" (38mm) basket sink drains
 For additional technical information visit our website for specification sheets.

SINK BOWLS, 14 GA. FABRICATED STAINLESS STEEL FB14 SERIES



FB14 Series

- NSF Listed • 14 Ga. Stainless Steel Heavy-duty construction • Fully formed, folded and welded construction
- Fully polished inside and out, ready for installation • Furnished with trimmed edges for easy welding installation
- Cross embossed basin provides positive drainage • 3-1/2" (89mm) Dia. drain hole provided • Stainless steel construction throughout • Complete inventory of conventional sizes • Available for immediate shipment from stock • Economical



Model	Bowl Size L x W x D	Cut-Out Size Req'd L x W	Gauge
FB14-141806	14" x 18" x 6" (356 x 457 x 152mm)	14-3/16" x 18-3/16" (360 x 462mm)	14
FB14-141810	14" x 18" x 10" (356 x 457 x 254mm)	14-3/16" x 18-3/16" (360 x 462mm)	
FB14-162010	16" x 20" x 10" (406 x 508 x 254mm)	16-3/16" x 20-3/16" (411 x 513mm)	
FB14-162014	16" x 20" x 14" (406 x 508 x 356mm)	16-3/16" x 20-3/16" (411 x 513mm)	
FB14-162110	16" x 21" x 10" (406 x 533 x 254mm)	16-3/16" x 21-3/16" (411 x 538mm)	
FB14-181810	18" x 18" x 10" (457 x 457 x 254mm)	18-3/16" x 18-3/16" (462 x 462mm)	
FB14-181814	18" x 18" x 14" (457 x 457 x 356mm)	18-3/16" x 18-3/16" (462 x 462mm)	
FB14-182414	18" x 24" x 14" (457 x 610 x 356mm)	18-3/16" x 24-3/16" (462 x 614mm)	
FB14-202006	20" x 20" x 6" (508 x 508 x 152mm)	20-3/16" x 20-3/16" (513 x 513mm)	
FB14-202008	20" x 20" x 8" (508 x 508 x 203mm)	20-3/16" x 20-3/16" (513 x 513mm)	
FB14-202014	20" x 20" x 14" (508 x 508 x 356mm)	20-3/16" x 20-3/16" (513 x 513mm)	
FB14-202414	20" x 24" x 14" (508 x 610 x 356mm)	20-3/16" x 24-3/16" (513 x 614mm)	
FB14-242414	24" x 24" x 14" (610 x 610 x 356mm)	24-3/16" x 24-3/16" (614 x 614mm)	

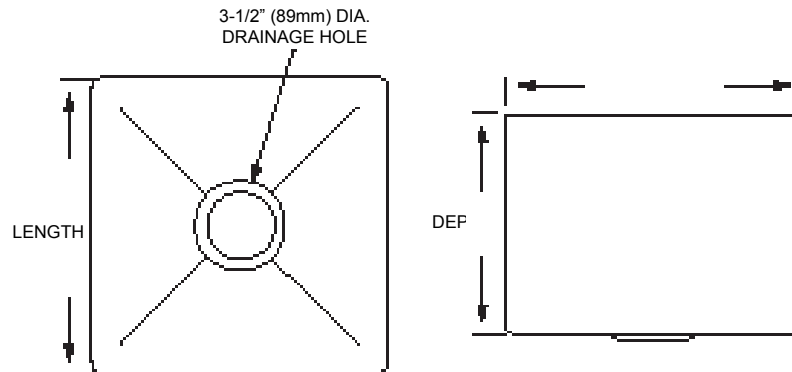
For additional technical information visit our website for specification sheets.

SINK BOWLS, 16 GA. FABRICATED STAINLESS STEEL FB16 SERIES



FB16 Series

- NSF Listed • 16 Ga. Stainless Steel Heavy-duty construction • Fully formed, folded and welded construction
- Fully polished inside and out, ready for installation • Furnished with trimmed edges for easy welding installation
- Cross embossed basin provides positive drainage • 3-1/2" (89mm) Dia. drain hole provided • Stainless steel construction throughout • Complete inventory of conventional sizes • Available for immediate shipment from stock • Economical



Model	Bowl Size L x W x D	Cut-Out Size Req'd L x W	Gauge
FB16-101409	10" x 14" x 9" (254 x 356 x 229mm)	10-3/16" x 14-3/16" (259 x 360mm)	16
FB16-101410	10" x 14" x 10" (254 x 356 x 254mm)	10-3/16" x 14-3/16" (259 x 360mm)	
FB16-121410	12" x 14" x 10" (305 x 356 x 254mm)	12-3/16" x 14-3/16" (310 x 360mm)	
FB16-162012	16" x 20" x 12" (406 x 508 x 305mm)	16-3/16" x 20-3/16" (411 x 513mm)	
FB16-162014	16" x 20" x 14" (406 x 508 x 356mm)	16-3/16" x 20-3/16" (411 x 513mm)	
FB16-162021	16" x 20" x 21" (406 x 508 x 533mm)	16-3/16" x 20-3/16" (411 x 513mm)	
FB16-181812	18" x 18" x 12" (457 x 457 x 305mm)	18-3/16" x 18-3/16" (462 x 462mm)	
FB16-182014	18" x 20" x 14" (457 x 508 x 356mm)	18-3/16" x 20-3/16" (462 x 513mm)	
FB16-182214	18" x 22" x 14" (457 x 559 x 356mm)	18-3/16" x 22-3/16" (462 x 4564mm)	
FB16-182412	18" x 24" x 12" (457 x 610 x 305mm)	18-3/16" x 24-3/16" (462 x 614mm)	
FB16-182414	18" x 24" x 14" (457 x 610 x 356mm)	18-3/16" x 24-3/16" (462 x 614mm)	
FB16-202007	20" x 20" x 7" (508 x 508 x 178mm)	20-3/16" x 20-3/16" (513 x 513mm)	
FB16-202008	20" x 20" x 8" (508 x 508 x 203mm)	20-3/16" x 20-3/16" (513 x 513mm)	
FB16-202012	20" x 20" x 12" (508 x 508 x 305mm)	20-3/16" x 20-3/16" (513 x 513mm)	
FB16-202014	20" x 20" x 14" (508 x 508 x 356mm)	20-3/16" x 20-3/16" (513 x 513mm)	
FB16-202018	20" x 20" x 18" (508 x 508 x 457mm)	20-3/16" x 20-3/16" (513 x 513mm)	
FB16-202021	20" x 20" x 21" (508 x 508 x 533mm)	20-3/16" x 20-3/16" (513 x 513mm)	
FB16-212214	21" x 22" x 14" (533 x 559 x 356mm)	21-3/16" x 22-3/16" (538 x 564mm)	
FB16-242012	24" x 20" x 12" (610 x 508 x 305mm)	24-3/16" x 20-3/16" (614 x 513mm)	
FB16-242412	24" x 24" x 12" (610 x 610 x 305mm)	24-3/16" x 24-3/16" (614 x 614mm)	
FB16-242414	24" x 24" x 14" (610 x 610 x 356mm)	24-3/16" x 24-3/16" (614 x 614mm)	

For additional technical information visit our website for specification sheets.

PRE-RINSE SINK ASSEMBLIES

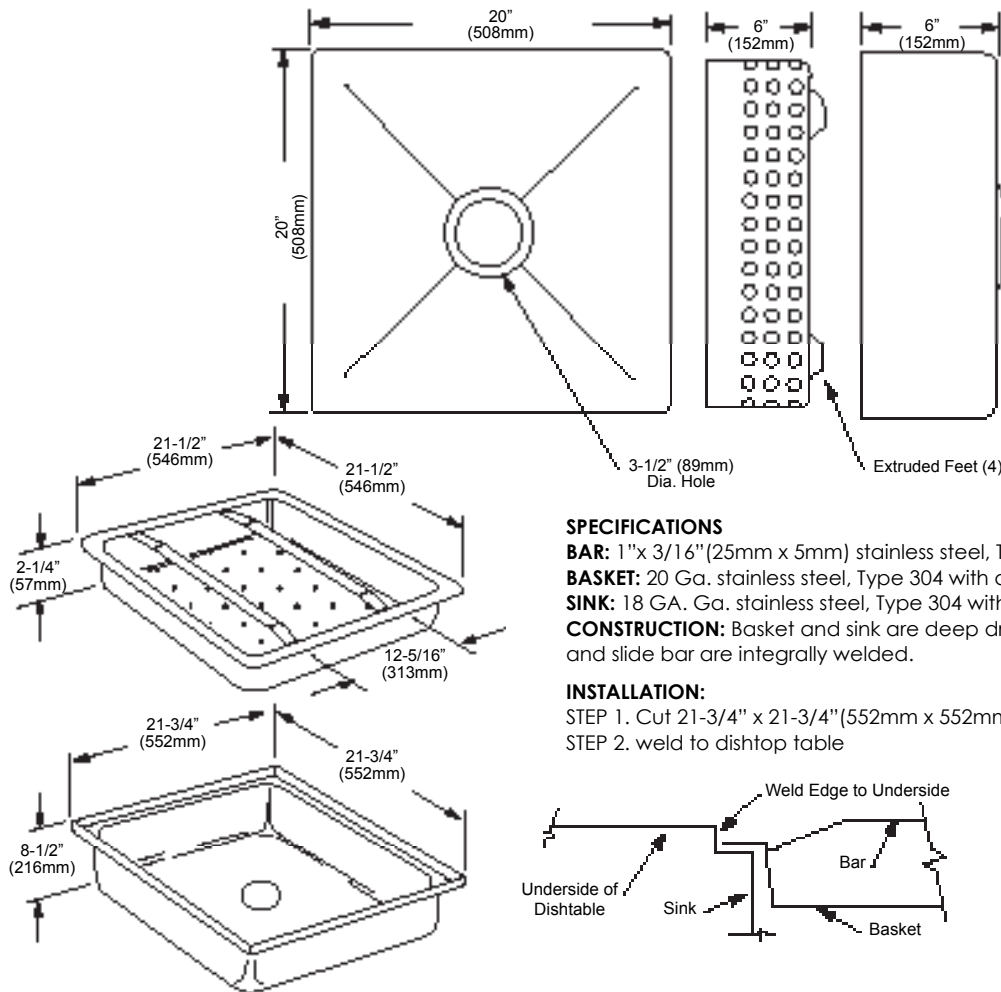


Fabricated - NSF Listed • Heavy-Duty 14 Ga. • Fully formed, folded and welded construction • Fully polished inside and out; ready for installation • Furnished with trimmed edges for easy welding installation • Cross embossed basin provides positive drainage

- 3-1/2" (89mm) Dia. center drainage hole provided • Type 304 stainless steel throughout
- Complete with perforated scrap basket with 1" O.D. tubular tray slides
- Economical • Available for immediate shipment from stock

Deep Draw - Deep drawn basket and sink • Slide bar and basket integrally welded

- Sized for standard 20" x 20" (508mm x 508mm) dish rack • All stainless steel components (Type 304)



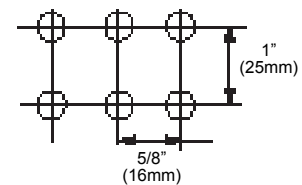
SPECIFICATIONS

BAR: 1" x 3/16" (25mm x 5mm) stainless steel, Type 304
BASKET: 20 Ga. stainless steel, Type 304 with a #4 finish
SINK: 18 GA. stainless steel, Type 304 with a #4 finish
CONSTRUCTION: Basket and sink are deep drawn. Basket and slide bar are integrally welded.

INSTALLATION:

STEP 1. Cut 21-3/4" x 21-3/4" (552mm x 552mm) opening
 STEP 2. weld to dishtop table

DRAIN HOLE CONFIGURATION



Model	Bowl Size L x W x D	Gauge	Cut-Out Size Req'd L x W	Type
FB80-2020	20" x 20" x 6" (508 x 508 x 152mm)	14	20-3/16" x 20-3/16" (513 x 513mm)	Fabricated
FB80-X015	Scrap Basket Only		—	
E80-2020	21-3/4" x 21-3/4" x 8-1/2" (552 x 552 x 216mm)	18	21-3/4" x 21-3/4" (552 x 552mm)	Deep Drawn
E80-X010	Stainless Steel Sink Only		—	
E80-X015	Scrap Basket Only		—	

Sink provided with 3-1/2" (89mm) Dia. drain opening. Basket is provided with hole spacing pattern as illustrated. All holes are 1/4" (6.5mm) Dia.

For additional technical information visit our website for specification sheets.