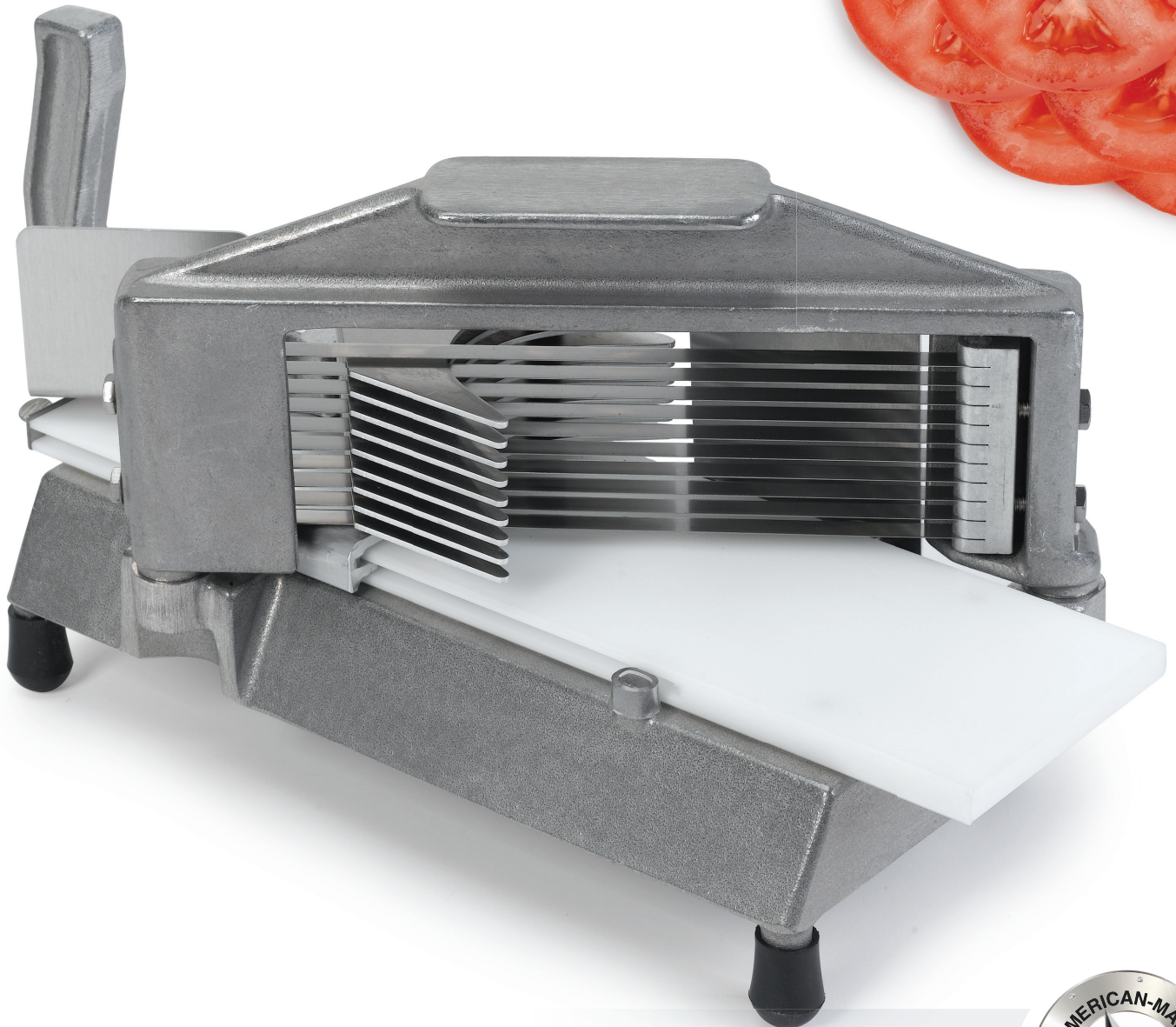


ONLY FROM

**nemco**<sup>®</sup> | FOOD  
EQUIPMENT

## Easy Tomato Slicer™

Now anyone can get perfect, uniform tomato slices with remarkable speed!



Buy once. Buy the original.  
**Always look for this mark of quality**





# The Slice Is Right... Every Time

One motion. That's all it takes. So, even your most inexperienced kitchen employee can yield precise uniform tomato slices at super speed.

## Perfectly Efficient

Everything about the Easy Tomato Slicer is designed to maximize your food-prep margin. It works fast, demands very little space and gets the most out of every tomato.

- Saves labor—Place a tomato in front of the pusher, and slide it through the blade assembly for multiple uniform slices—all in less than three seconds.
- Saves food cost—Get the same slice thickness throughout, using the entire tomato, for consistent presentation and portion control.
- Saves space—We're talkin' a footprint as small as a shoebox on your counter.

## Simply Easy to Use

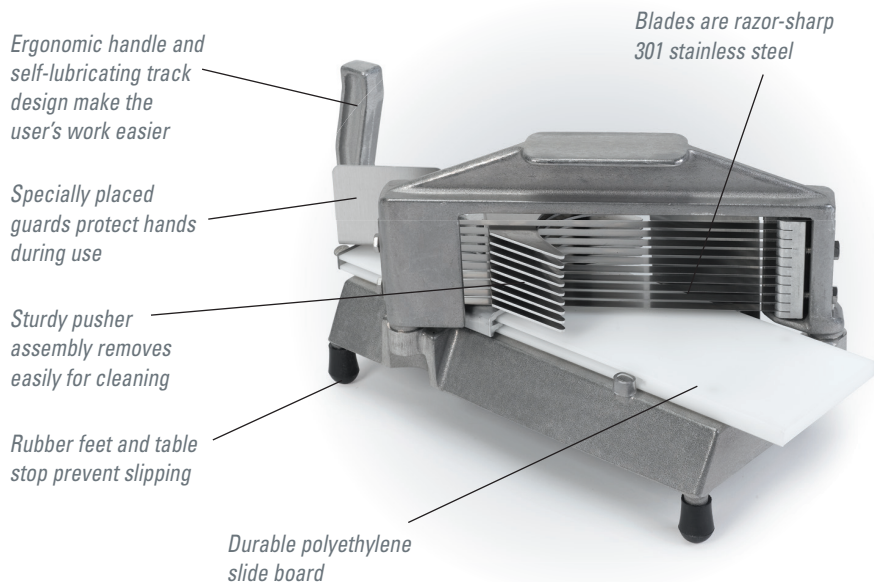
Compact, portable and operator-friendly, the Easy Tomato Slicer is a model of productivity in anyone's hands.

- It's nicely weighted, with a low, sturdy center of gravity, yet it's not cumbersome to move. It quickly sets up and goes to work virtually anywhere on the counter and stores away again—no sweat.
- The ergonomic handle and smooth-glide track eliminate operator fatigue.
- Protective guards optimize safety.

## Stubbornly Built to Last

Equal parts strength and finesse make it the perfect design for maximum ROI.

- Cast-aluminum and stainless-steel construction stands up to the brutality of a commercial kitchen and cleans up with ease.
- The blades are razor-sharp 301 stainless steel for lasting performance.
- A self-lubricating track material alleviates misalignment problems that can nick or break the blades.



## Suggested Uses

*This is a must-have if you like to keep fresh tomatoes on hand for your burgers, sandwiches, salads, salad bars and condiment trays. It's great for slicing strawberries and mushrooms too.*

## General Specifications

| Model   | Description | Slice Diameter |
|---------|-------------|----------------|
| 55600-1 | 3/16" Slice | Up to 3 1/4"   |
| 55600-2 | 1/4" Slice  | Up to 3 1/4"   |
| 55600-3 | 3/8" Slice  | Up to 3 1/4"   |
| 55600-7 | 7/32" Slice | Up to 3 1/4"   |

## Optional Accessories

|       |                      |
|-------|----------------------|
| 466-1 | 3/16" Blade Assembly |
| 466-2 | 1/4" Blade Assembly  |
| 466-3 | 3/8" Blade Assembly  |
| 466-7 | 7/32" Blade Assembly |

## Dimensions

|                             |                           |
|-----------------------------|---------------------------|
| Equipment (w x d x h)       | 7 1/4" x 15 1/4" x 8 1/4" |
| Shipping Carton (l x w x h) | 16 1/2" x 8 1/2" x 9 1/2" |
| Equipment Weight            | 8 lbs                     |
| Shipping Weight             | 9 lbs                     |

*Replacement parts are available through Nemco's 24-hour Zip Program.*

*Nemco reserves the right to make design, specification or model changes without notice.*



**nemco**® | FOOD EQUIPMENT

Physical Address: Corporate HQ  
301 Meuse Argonne | Hicksville, OH 43526  
800.782.6761 • 419.542.7751 • f: 419.542.6690

### Mailing Address:

PO Box 305 | Hicksville, OH 43526

Nemco West Distribution Center/Test Kitchen  
4300 E Magnolia Street | Phoenix, AZ 85034

[NemcoFoodEquip.com](http://NemcoFoodEquip.com)



Printed 10/18. Printed in the U.S.A.



ONLY FROM

**nemco**<sup>®</sup> | FOOD  
EQUIPMENT

## Easy Tomato Slicer 2

The fastest, easiest, most precise tomato slicing tool on the market. Period.



Buy once. Buy the original.  
Always look for this mark of quality



# Pretensioned for Trouble-Free Performance



Compact, efficient, fast and simple to use, the Nemco Easy Tomato Slicer has been a staple in foodservice kitchens for its labor- and space-saving advantages. Now, with its new pretensioned cartridge blade-set design, the Easy Tomato Slicer 2 is more convenient than ever.

## No Need to Adjust the Blades

Cut tomatoes and labor. That's it. Now available as a changeable cartridge, the blade set stays properly aligned and tightened without the need to adjust it. That means employees spend less time fiddling with the blades so you:

- Minimize the chances of someone getting cut.
- Ensure a consistently sliced quality product.
- Save time during blade replacement.

## Live Longer and Prosper

Building on the tough construction of the Easy Tomato Slicer, the cartridge blade set on this new model ensures even longer-lasting performance.

- By maintaining the blade tension, the cartridge design prevents misalignment that can cause the pusher to make contact with, and nick or damage the blades.
- Keeping the blades clean is key to their precision. Now with such an easily removable cartridge, rinsing the blades after use is no problem.
- The blades are razor-sharp stainless steel, while the frame and handles are constructed of commercial-grade aluminum.

## Easier Than Ever to Use

Your employees are neither adjusting the blades, nor waiting around for a manager to do it. Rather, changing out the cartridge is a snap for anyone.

- The blade cartridge just slides into place with minimal handling and cannot be installed improperly.
- The slicer's vertical handle and protective guards improve user comfort and safety.
- The slide board is high-density polyethylene.

## General Specifications

| Model   | Description | Slice Diameter |
|---------|-------------|----------------|
| 56600-1 | 3/16" Slice | Up to 4 1/2"   |
| 56600-2 | 1/4" Slice  | Up to 4 1/2"   |
| 56600-3 | 3/8" Slice  | Up to 4 1/2"   |

## Optional Accessories

|         |                                      |
|---------|--------------------------------------|
| 566-1   | 3/16" Cartridge Blade Assembly       |
| 566-2   | 1/4" Cartridge Blade Assembly        |
| 566-3   | 3/8" Cartridge Blade Assembly        |
| 55874-2 | Easy Scooper Stem Remover (set of 2) |

## Dimensions

|                             |                            |
|-----------------------------|----------------------------|
| Equipment (w x d x h)       | 7 1/2" x 18 5/8" x 9 3/8"  |
| Shipping Carton (l x w x h) | 21 1/2" x 9 1/2" x 10 1/2" |
| Equipment Weight            | 9.5 lbs                    |
| Shipping Weight             | 11 lbs                     |

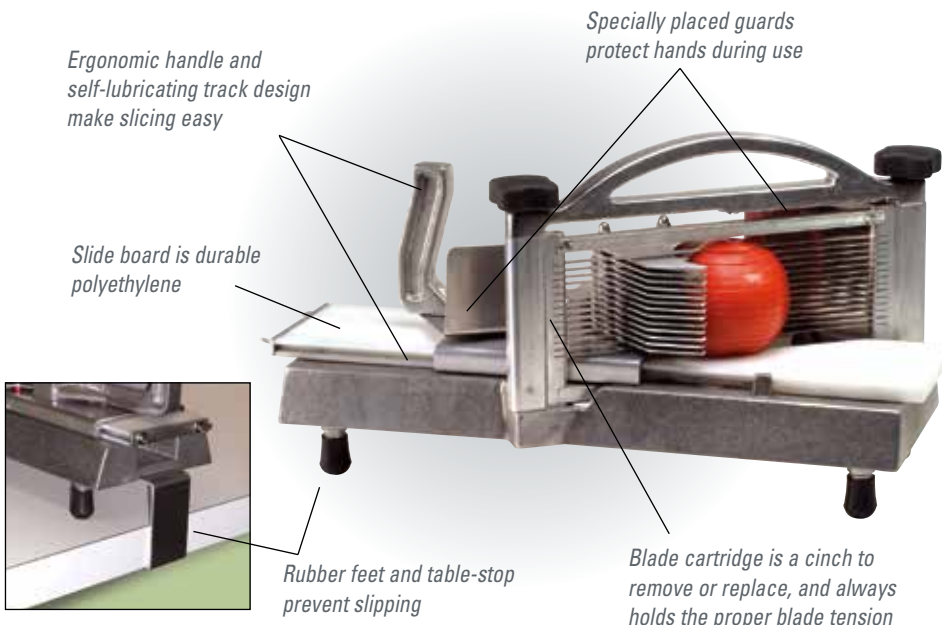
Replacement parts are available through Nemco's 24-hour Zip Program.

Nemco reserves the right to make design, specification or model changes without notice.



Pretensioned blade cartridge maximizes safety, blade longevity and labor savings!

Blades are razor-sharp stainless steel for a smooth, precise cut.



**nemco**® FOOD EQUIPMENT

Physical Address: Corporate HQ  
301 Meuse Argonne | Hicksville, OH 43526  
800.782.6761 • 419.542.7751 • f: 419.542.6690

Mailing Address:  
PO Box 305 | Hicksville, OH 43526

Nemco West Distribution Center/Test Kitchen  
4300 E Magnolia Street | Phoenix, AZ 85034

[NemcoFoodEquip.com](http://NemcoFoodEquip.com)



Printed 4/22. Printed in the USA.



ONLY FROM

**nemco**<sup>®</sup> | FOOD  
EQUIPMENT

# Roma Tomato Slicer

Now, it's faster and easier than ever to get consistent, uniform slices of the tomato family's popular oddball variety!



Buy once. Buy the original.  
**Always look for this mark of quality**



# Odd Shape. Evenly Sliced.

When the incredibly popular, but unconventionally oblong, Roma tomato proved unaccommodating to the world-famous Easy Tomato Slicer, Nemco engineers did what they do best—turned conventional thinking on its side.

## 'Rebuilt' for Speed

What's that? You need perfectly sliced Roma tomatoes super fast? No problem. Nemco has designed a new slicer specifically to fit the Roma.

- Just lay any typical-sized Roma on its side in the base's cradle.
- Blades in the handle slice downward in one quick, smooth motion.
- Place the next Roma and repeat!

## Intellectually Sharp Blades

To preserve tomato integrity, without slowing down the slicing process, Nemco took a close look at the point of contact.

- Given the straight-down blade motion that engages the tomato squarely, instead of at an angle, Nemco engineers smartly adapted by going to a scalloped blade edge. The resulting pierce-first action ensures a beautifully clean slice, without crushing or squeezing the tomato.
- As part of a pretensioned cartridge assembly, the blades maintain even spacing for consistently uniform slice thickness.

## Simply Commercial Tough

No-nonsense construction, without over-engineering, promises exceptional return on investment.

- The blades are stainless steel, while their cartridge assembly holds uncompromising rigidity to maximize blade life.
- The body is cast aluminum for lasting durability.
- Ergonomic design applies the pressure only where needed, minimizing the fatigue on both the equipment and the operator's elbow.
- Just a few pins and only four component parts make the unit a cinch to disassemble for a fast, but thorough, cleaning.



## Suggested Uses

*This is the must-have tool for operations looking to capitalize on the increasing demand for Caprese salads, personal pizzas, specialty sandwiches and other menu items featuring the smaller, richer, more authentic Roma. Great for slicing other soft produce too—like strawberries, mushrooms and more.*

## General Specifications

| Model   | Description        | Slice Diameter |
|---------|--------------------|----------------|
| 56610-1 | 3/16" Tomato Slice | Up to 2"       |
| 56610-2 | 1/4" Tomato Slice  | Up to 2"       |

## Optional Accessories

|       |                      |
|-------|----------------------|
| 567-1 | 3/16" Blade Assembly |
| 567-2 | 1/4" Blade Assembly  |

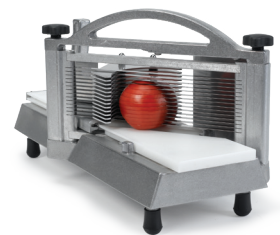
## Dimensions

|                             |                           |
|-----------------------------|---------------------------|
| Equipment (w x d x h)       | 6 1/8" x 14 7/8" x 5 1/2" |
| Shipping Carton (l x w x h) | 17" x 9" x 9"             |
| Equipment Weight            | 10 lbs                    |
| Shipping Weight             | 12 lbs                    |

*Replacement parts are available through Nemco's 24-hour Zip Program.*

*Nemco reserves the right to make design, specification or model changes without notice.*

**Slice Regular Tomatoes Just as Fast!**  
Ask your Nemco rep about the original Easy Tomato Slicer 2



**nemco**® FOOD EQUIPMENT

Physical Address: Corporate HQ  
301 Meuse Argonne | Hicksville, OH 43526  
800.782.6761 • 419.542.7751 • f: 419.542.6690

### Mailing Address:

PO Box 305 | Hicksville, OH 43526

Nemco West Distribution Center/Test Kitchen  
4300 E Magnolia Street | Phoenix, AZ 85034

[NemcoFoodEquip.com](http://NemcoFoodEquip.com)



Printed 10/18. Printed in the U.S.A.



ONLY FROM

**nemco**<sup>®</sup> | FOOD  
EQUIPMENT

# Easy Pineapple Corer/Peeler

Completely core and peel an entire pineapple with one pull of an easy-action lever!



Buy once. Buy the original.  
**Always look for this mark of quality**



# Suh-Weet!



When coring and peeling a fresh pineapple is this quick and easy, somehow the glorious, juicy flavor is just a little bit finer. Nemco introduces its latest food-prep innovation—the Easy Pineapple Corer/Peeler.

## More Speed, Less Waste

Make no mistake. For all the produce that crosses the food-prep countertop, pineapple ranks among the most challenging... Until now. Nemco's new Easy Pineapple Corer/Peeler changes everything by enabling your employees to:

- Save time completely coring and peeling an entire, straight-from-the-plant pineapple in one smooth cutting stroke.
- Clear the prep work station more quickly and efficiently—in the same single cutting action the entire pineapple outer shell falls off in three large pieces that are easy to grab and throw away.
- Reduce food waste with a cutting tolerance that removes the core, the shell and nothing else.

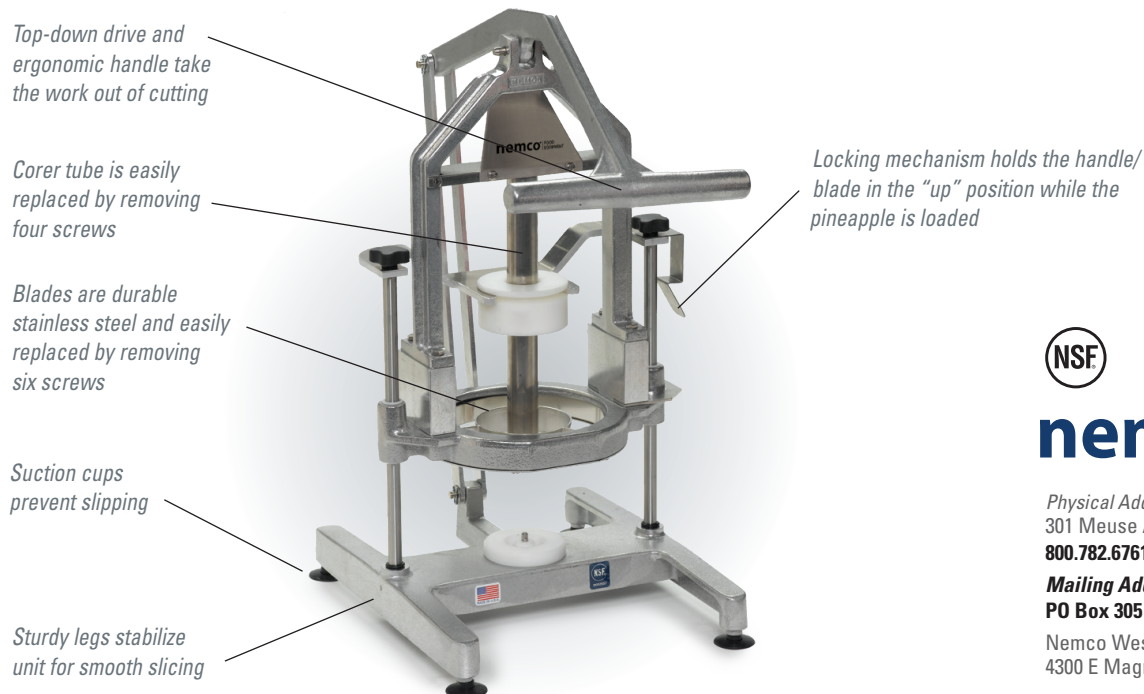
## Friendly to the User

All the stress of cutting a pineapple goes away. Nemco's product design makes for super-easy operation, with features that:

- Increase productivity by reducing operator fatigue, courtesy of a special ergonomic handle.
- Optimize portability and space without sacrificing stability in the cut, courtesy of the unit's suction cup feet.
- Keep blades away from the operator's hands, courtesy of a locking mechanism that holds the handle in the "up" position while the user loads the pineapple.

## Built to Last

Following the Nemco trademark design style, the Easy Pineapple Corer/Peeler features tough, stainless steel and cast-aluminum construction, and is easily disassembled for cleaning, to maximize performance longevity and lifetime value.



## Suggested Uses

*The Easy Pineapple Corer/Peeler is the perfect tool for fast-paced, high-volume kitchens looking to capitalize on the popularity of this perfect fruit. Great for operations that use pineapple for sauces, baked goods, salad bars, hams, exotic pizza toppings and more.*

## General Specifications

| Model   | Description                     |
|---------|---------------------------------|
| 55775   | 3 1/2" Pineapple Corer & Peeler |
| 55775-1 | 4" Pineapple Corer & Peeler     |

## Dimensions

|                                   |                                  |
|-----------------------------------|----------------------------------|
| Equipment (w x d x h)             | 11 9/16" x 13 15/16" x 19 11/16" |
| Height With Handle in Up Position | 29 9/16"                         |
| Shipping Carton (l x w x h)       | 19" x 14" x 22 1/2"              |
| Equipment Weight                  | 17.5 lbs                         |
| Shipping Weight                   | 21.5 lbs                         |

**Produce Size:** Standard Pineapple

**Cut Size of Outer Ring** (model 55775 diameter): 3 1/2"

**Cut Size of Outer Ring** (model 55775-1 diameter): 4"

**Cut Size of Inner Core** (diameter): 1 1/8"

*Replacement parts are available through Nemco's 24-hour Zip Program.*

*Nemco reserves the right to make design, specification or model changes without notice.*



**nemco** | FOOD EQUIPMENT

Physical Address: Corporate HQ  
301 Meuse Argonne | Hicksville, OH 43526  
800.782.6761 • 419.542.7751 • f: 419.542.6690

Mailing Address:  
PO Box 305 | Hicksville, OH 43526

Nemco West Distribution Center/Test Kitchen  
4300 E Magnolia Street | Phoenix, AZ 85034

[NemcoFoodEquip.com](http://NemcoFoodEquip.com)

Printed 10/18. Printed in the U.S.A.





ONLY FROM

**nemco**<sup>®</sup> | FOOD  
EQUIPMENT

# Green Onion Slicer Plus

Slice all sorts of produce quickly and efficiently—  
without losing an inch of counterspace!



Buy once. Buy the original.  
**Always look for this mark of quality**





# A Cut Above

If you're wanting a kitchen tool for fast, easy-action slicing of various fruits and veggies, but you can't see any available counterspace, look up a little higher. The wall-mounted Green Onion Slicer Plus offers a hero solution.

## Much Obligated

The Green Onion Slicer Plus takes "user friendly" to another level—combining super-easy operation with a model design that is, literally, off the wall.

- Integrates seamlessly into any food-prep workstation, because it's conveniently out of the way, yet perfectly within reach.
- Engineered for a smooth, ergonomic motion—lay the food item in the blade cradle and bring down the push-block handle. It's that simple.
- Razor-sharp blades make quick work of your slicing task, and they're individually replaceable.

## Compact & Tough

No-nonsense construction means lasting performance.

- All cast aluminum and stainless steel for exceptional durability.
- Built with a compact, minimal-component frame, with no over-engineering.
- Disassembly for cleaning or blade replacement takes nothing more than the turn of a few screws.

## Suggested Uses

*Purposely designed for green onions, this tool also yields uniform 3/16" slices of everything from mushrooms, peeled cucumbers, olives and green peppers, to bananas, strawberries and more.*

## General Specifications

| Model  | Description |
|--------|-------------|
| 55250A | 3/16" Slice |

### Optional Accessories

|         |                              |
|---------|------------------------------|
| 55225-6 | Replacement Blade (set of 6) |
|---------|------------------------------|

### Dimensions

|                             |                   |
|-----------------------------|-------------------|
| Equipment (w x d x h)       | 6¼" x 11¼" x 12½" |
| Shipping Carton (l x w x h) | 14½" x 8½" x 10½" |
| Equipment Weight            | 7 lbs             |
| Shipping Weight             | 9 lbs             |

*Replacement parts are available through Nemco's 24-hour Zip Program.*

*Nemco reserves the right to make design, specification or model changes without notice.*

*Cast-aluminum and stainless-steel body is lightweight, but extremely durable*

*Super-sharp, stainless-steel blade set leaves no slicing doubt*

*Blade-cradle design properly receives and stabilizes food for consistent slicing, even in a high-speed situation*

*Extended legs conveniently hold an 1/3-size pan. Freshly sliced product falls right in*



*Ergonomic handle and downward motion make rapid-fire slicing effortless*

*Wall-mount bracket keeps the unit up off the counter, but extremely handy*



**nemco** | FOOD EQUIPMENT

Physical Address: Corporate HQ  
301 Meuse Argonne | Hicksville, OH 43526  
800.782.6761 • 419.542.7751 • f: 419.542.6690

### Mailing Address:

PO Box 305 | Hicksville, OH 43526

Nemco West Distribution Center/Test Kitchen  
4300 E Magnolia Street | Phoenix, AZ 85034

[NemcoFoodEquip.com](http://NemcoFoodEquip.com)



Printed 10/18. Printed in the USA.



ONLY FROM

**nemco**<sup>®</sup> | FOOD  
EQUIPMENT

# Easy FryKutter™ & Monster FryKutter™

Choose Easy FryKutter for labor savings and improved productivity.  
Or power through the biggest spuds at lightning speed with the one  
and only Monster FryKutter.



**Easy FryKutter**  
Vegetable Cutter



**Monster FryKutter**  
Vegetable Cutter

Buy once. Buy the original.  
**Always look for this mark of quality**



# Get a Handle on a Real Hot Potato!

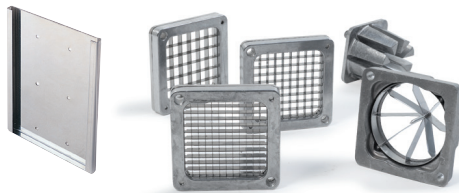
## Easy FryKutter™

It really is as easy as it looks with the Easy FryKutter. Thanks to the exclusive short-throw handle and superior engineering, the Easy FryKutter provides the leverage needed for smooth, easy cutting or wedging in just one stroke.

Simply use your natural body motion to eliminate awkward stretching and reduce operator fatigue. These machines are built to last for years under the toughest conditions. And the standard slide-in, slide-out wall bracket fits the same mounting holes as most other machines.

### Suggested Uses

*Cut potatoes for French fries, and cut celery sticks. Chop onions, peppers and tomatoes. Wedge tomatoes for salads, potatoes for steak fries and even fruits!*

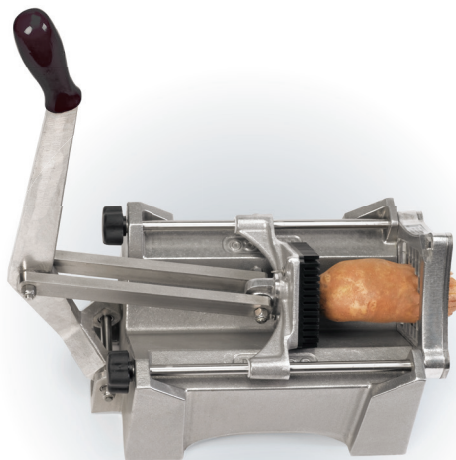


## Monster FryKutter™

Even the biggest potatoes fear the Monster! The Monster FryKutter is the first potato-cutting tool capable of taking on the most massive potatoes and delivering a big 1/4", 3/8" or 1/2" square cut product. The special blade-assembly design minimizes operator fatigue and maximizes productivity.

### Suggested Uses

*Improve the yield from your vegetables and maximize profit potential on your orders for French fries or steak fries with this beast. It's also useful for cutting other large, firm vegetables, including colossal onions, celery, bell peppers and more.*



Replacement parts are available through Nemco's 24-hour Zip Program.

Nemco reserves the right to make design, specification or model changes without notice.

## General Specifications

| Model   | Description     |
|---------|-----------------|
| 55450-1 | 1/4" Cut        |
| 55450-2 | 3/8" Cut        |
| 55450-3 | 1/2" Cut        |
| 55450-4 | 4-Section Wedge |
| 55450-6 | 6-Section Wedge |
| 55450-8 | 8-Section Wedge |

### Optional Accessories

|                   |                                    |
|-------------------|------------------------------------|
| 55641             | Wall Bracket                       |
| 55727-4           | 4-Section Wedger Kit               |
| 55727-6           | 6-Section Wedger Kit               |
| 55727-8           | 8-Section Wedger Kit               |
| 55424-1           | 1/4" Cut Blade Assembly            |
| 55424-2           | 3/8" Cut Blade Assembly            |
| 55424-3           | 1/2" Cut Blade Assembly            |
| 436-1 (set of 22) | 1/4" Cut Replacement Blade         |
| 436-2 (set of 16) | 3/8" Cut Replacement Blade         |
| 436-3 (set of 10) | 1/2" Cut Replacement Blade         |
| 428-4             | 4-Section Wedge, Replacement Blade |
| 428-6             | 6-Section Wedge, Replacement Blade |
| 428-8             | 8-Section Wedge, Replacement Blade |

### Dimensions

|                             |                        |
|-----------------------------|------------------------|
| Equipment (w x d x h)       | 8" x 12 1/2" x 15 1/2" |
| Shipping Carton (l x w x h) | 17 1/2" x 10 1/2" x 4" |
| Equipment Weight            | 10.8 lbs               |
| Shipping Weight             | 12 lbs                 |

## General Specifications

| Model    | Description                            |
|----------|--|
| 56450A-1 | 1/4" Sq. Cut, Stainless Blade Assembly |
| 56450A-2 | 3/8" Sq. Cut, Stainless Blade Assembly |
| 56450A-3 | 1/2" Sq. Cut, Stainless Blade Assembly |

### Optional Accessories

|            |                                |
|------------|--------------------------------|
| 56424A-1MK | 1/4" Sq. Cut Blade Assembly    |
| 56424A-2MK | 3/8" Sq. Cut Blade Assembly    |
| 56424A-3MK | 1/2" Sq. Cut Blade Assembly    |
| 536-1      | 1/4" Sq. Cut Replacement Blade |
| 536-2      | 3/8" Sq. Cut Replacement Blade |
| 536-3      | 1/2" Sq. Cut Replacement Blade |

### Dimensions

|                             |                               |
|-----------------------------|-------------------------------|
| Equipment (w x d x h)       | 10 1/4" x 18 7/16" x 15 3/16" |
| Shipping Carton (l x w x h) | 13" x 18" x 23"               |
| Equipment Weight            | 24.5 lbs                      |
| Shipping Weight             | 34 lbs                        |



**nemco** | FOOD EQUIPMENT

Physical Address: Corporate HQ  
301 Meuse Argonne | Hicksville, OH 43526  
800.782.6761 • 419.542.7751 • f: 419.542.6690

### Mailing Address:

PO Box 305 | Hicksville, OH 43526

Nemco West Distribution Center/Test Kitchen  
4300 E Magnolia Street | Phoenix, AZ 85034

[NemcoFoodEquip.com](http://NemcoFoodEquip.com)



Printed 10/18. Printed in the U.S.A.



ONLY FROM

**nemco**<sup>®</sup> | FOOD  
EQUIPMENT

# Easy Flowering Onion™ Cutter

Take all the labor out of this high-dollar customer favorite for a profit of 700% or more!



Buy once. Buy the original.  
**Always look for this mark of quality**





# a 'Colossal' Moneymaking Opportunity

Cash in big time on the immensely popular flowering-onion appetizer with this easy-to-use manual tool that reduces all the painstaking labor down to one pull of a handle.

## Super-Fast ROI

When you can make 'em as fast as they eat 'em, just imagine. . . This machine pays for itself after only one 50 lb. bag of colossal onions!

- Load a peeled onion and pull the lever. It's that simple and fast. All the labor comes out of the process, but not the presentation—or the price.
- The ergonomic handle and lever action take all the strain off the user, further maximizing productivity.
- Easily disassembles for cleaning too!

## Relentless Performance

For a menu item this popular, you can't afford a breakdown.

- All cast-aluminum and stainless-steel construction for durability.
- High-strength bearings stand up to nonstop, heavy-duty activity.
- Wide base and suction-cup feet provide reliable balance and stability—yet, it remains extremely portable.
- Compact design makes it easy to fit on the countertop or store away.

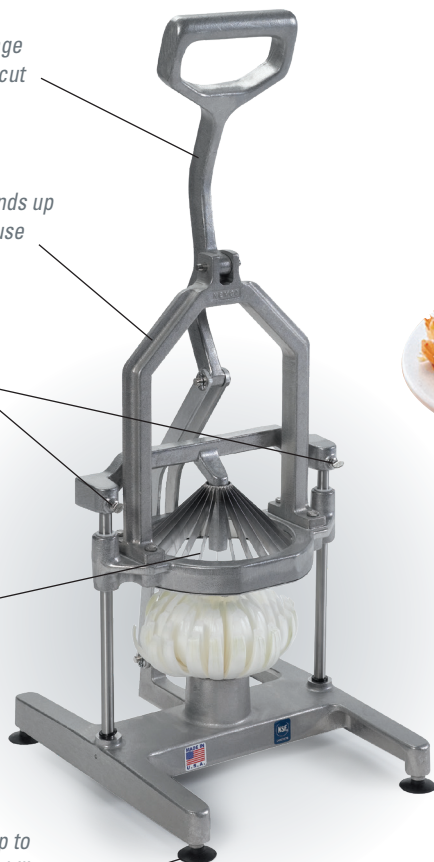
Handle design uses leverage to make a quick and easy cut

All-metal construction stands up to commercial-kitchen abuse

Thumbscrews make disassembly easy for thorough cleaning

Stainless-steel blades hold a clean, sharp edge

Suction-cup feet firmly grip to the counter surface for stability, but easily release to make the unit portable



## Suggested Uses

Create the perfect signature-item appetizer using colossal or regular-sized onions. Or dip the ends of a flowered raw onion in food coloring to produce a magnificent onion garnish.

## General Specifications

| Model | Description            |
|-------|------------------------|
| 55700 | Flowering Onion Cutter |

### Optional Accessories

|       |  |
|-------|--|
| 55511 | Blade Assembly                                     |
| 55526 | Small Onion Adapter                                |
| 55513 | Core Cutter, Large 2 <sup>3</sup> / <sub>4</sub> " |
| 55527 | Core Cutter, Small 1 <sup>3</sup> / <sub>4</sub> " |

### Dimensions

|                             |   |
|-----------------------------|---|
| Equipment (w x d x h)       | 13 <sup>1</sup> / <sub>2</sub> " x 11 <sup>1</sup> / <sub>4</sub> " x 17" |
| Shipping Carton (l x w x h) | 18 <sup>1</sup> / <sub>2</sub> " x 14" x 20 <sup>1</sup> / <sub>2</sub> " |
| Equipment Weight            | 16 lbs  |
| Shipping Weight             | 20 lbs  |

Replacement parts are available through Nemco's 24-hour Zip Program.

Nemco reserves the right to make design, specification or model changes without notice.

## Core Cutter

**The Easy Flowering Onion Cutter's sidekick**  
The Core Cutter easily removes the onion core, creating a space to add a ramekin filled with delicious dipping sauce. Unit comes with two different core cutter sizes—2<sup>3</sup>/<sub>4</sub>" and 1<sup>3</sup>/<sub>4</sub>"—and an adapter that works for smaller onions.



**nemco**® | FOOD EQUIPMENT

Physical Address: Corporate HQ  
301 Meuse Argonne | Hicksville, OH 43526  
800.782.6761 • 419.542.7751 • f: 419.542.6690

### Mailing Address:

PO Box 305 | Hicksville, OH 43526

Nemco West Distribution Center/Test Kitchen  
4300 E Magnolia Street | Phoenix, AZ 85034

[NemcoFoodEquip.com](http://NemcoFoodEquip.com)



Printed 10/18. Printed in the U.S.A.

ONLY FROM

**nemco**<sup>®</sup> | FOOD  
EQUIPMENT

## Easy Juicer™

Get 100% yield with virtually 0% effort—  
in a workhorse that just won't quit!



Buy once. Buy the original.  
**Always look for this mark of quality**







# Because You Can't Afford a 'Lemon'

Downtime. The kiss of death for operators like you trying to keep up with a thirsty crowd. Understanding this, Nemco built the most dependable manual citrus juicer on the market.

## 20:1 Odds in Your Favor

The Easy Juicer is engineered to apply maximum pressure with minimum effort in a gearing design that amplifies the user's leverage by 20x—for the ultimate in productivity and efficiency.

- Yields 100% fresh-squeezed juice—not a drop wasted.
- Combined with the ergonomic handle, it reduces operator fatigue for longer, high-volume output.
- Works with the easy-to-remove strainer cup for optimum juicing speed.

## Serious Muscle Material

Better than any other manual juicer on the market, the Easy Juicer is "no-excuses" durable. It's an absolute workhorse with no quit, featuring:

- Stainless-steel rack-and-pinion gearing supported between two self-lubricating bronze bearings for enduring strength where it matters most.
- High-strength steel post for a rigid, no-fail backbone.
- Aluminum and stainless-steel construction, plus all stainless-steel fasteners for rugged durability.

## Easy to Use. Easy to Clean.

Nemco incorporates a number of simple features that promote long-lasting performance for maximum ROI.

- Its compact design and small footprint make it a real space saver in storage or on the counter.
- No over-engineering means minimal chance for failure.
- Disassembles quickly for a thorough cleaning.

## Suggested Uses

*Gives you the reliable tool you need to produce fresh-squeezed lemonade, limeade and other citrus-based tropical drinks. Ideal for oranges, lemons and limes.*

## General Specifications

| Model                       | Description  |
|-----------------------------|--|
| 55850                       | Juicer   |
| Dimensions                  |  |
| Equipment (w x d x h)       | 7 <sup>1</sup> / <sub>2</sub> " x 8 <sup>7</sup> / <sub>8</sub> " x 19 <sup>1</sup> / <sub>4</sub> " |
| Shipping Carton (l x w x h) | 11" x 11" x 21 <sup>1</sup> / <sub>2</sub> "   |
| Equipment Weight            | 10.5 lbs   |
| Shipping Weight             | 12 lbs   |

*Replacement parts are available through Nemco's 24-hour Zip Program.*

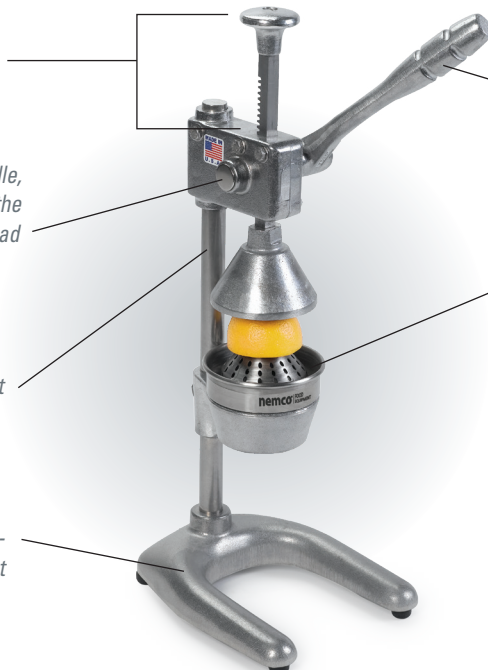
*Nemco reserves the right to make design, specification or model changes without notice.*

Rack-and-pinion is stainless steel to prevent tooth chipping

Pinion rod is part of the handle, running completely through the gear housing, for optimum load bearing strength

Solid high-strength steel post provides necessary rigidity

Cast-aluminum and stainless-steel construction throughout ensures lasting performance



Easy-to-grip ergonomic handle works with gearing to minimize user fatigue

Strainer funnel and cup are easy to remove for juicing speed



**nemco** | FOOD EQUIPMENT

Physical Address: Corporate HQ  
301 Meuse Argonne | Hicksville, OH 43526  
800.782.6761 • 419.542.7751 • f: 419.542.6690

Mailing Address:  
PO Box 305 | Hicksville, OH 43526

Nemco West Distribution Center/Test Kitchen  
4300 E Magnolia Street | Phoenix, AZ 85034

[NemcoFoodEquip.com](http://NemcoFoodEquip.com)



Printed 10/18. Printed in the U.S.A.

ONLY FROM

**nemco**<sup>®</sup> | FOOD  
EQUIPMENT

## Easy LettuceKutter

Versatility is the name of the game with this powerful, but easy to use, tool that makes quick work of lettuce, chicken, melon and more!



Cuts  
a case of  
cored lettuce  
in less than  
3 minutes!

Buy once. Buy the original.  
**Always look for this mark of quality**





# Iceberg Is Just the Tip

Yes, originally the Easy LettuceKutter was designed to make quick work of the garden salad staple item. But then one Nemco customer after another discovered this handy utility player could tackle all sorts of food-prep cutting jobs.

## Lettuce See What Else It Can Do

With its super-sharp blades and handle design that transfers more power to the pusher block, the Easy LettuceKutter got Nemco customers thinking.

Nemco followed up with a number of modular blade assemblies to simplify all kinds of cutting chores. Now, with one tool, you can cut:

- 1" or 3/4" squares for salad bars
- 1/2" squares for chopped salads
- 1/2" slices for melons
- 3/8" slices for cooked chicken
- 1" x 2" pieces for romaine
- and the ideas keep coming

## The Beauty Is in the Blades

Nemco engineers designed a system that was highly effective, but easy on both the blades and the food.

- Interlocked blades nested in the frame don't suffer from flexing.
- Pretensioned blade assemblies are easy to change out, with little or no blade tensioning required.
- Scalloped blade edges have been added to some assemblies for cleaner cuts and no crushing or bruising—lettuce stays fresh longer with no rusting or browning.

## Easy to Use. Easy to Clean.

Get long-lasting performance for maximum ROI.

- Angled, cast aluminum legs with no-slip feet provide a stable cutting platform, for fast and easy precision cutting with minimal wear on the unit.
- This is the only lettuce cutter on the market that allows the blade and pusher head to come apart for cleaning without tools. Just pull one pin to remove the pusher block, then lift the blade assembly out with ease.
- All stainless steel and aluminum-cast construction.

Handle design uses leverage to amplify the user's strength

Manual locking pin keeps pusher block safely in place until operator releases for cutting

Both the pusher block and blade assembly can be removed for cleaning, without the use of tools



NSF-listed polypropylene cutting board fits over 20- to 32-gallon lettuce-keeper containers.

Model 55491 | Specs: 24" x 24" x 3/4"

Angled legs with rubber non-skid feet provide stability



7" x 7" cutting surface

Modular Blade Assemblies

Precision sharpened stainless-steel blades are nested to avoid flexing

## Suggested Uses

Ideal for chopping iceberg and other lettuces, as well as slicing melon for fruit trays. Also slices lettuce for tacos, subs and other sandwiches. Model 55650-CS can be used to slice cooked chicken for wraps and salads.

## General Specifications

| Model    | Description           |
|----------|-----------------------|
| 55650    | 1" x 1" Square        |
| 55650-1  | 1/2" Slices           |
| 55650-2  | 1" x 2" (for Romaine) |
| 55650-3  | 1/2" x 1/2" Square    |
| 55650-4  | 2" x 2" Square        |
| 55650-6  | 3/4" x 3/4" Square    |
| 55650-CS | 3/8" Slices           |

## Optional Accessories

### Blade & Holder Assembly

|         |                       |
|---------|-----------------------|
| 55485   | 1" x 1" Square        |
| 55495   | 1/2" Slices           |
| 55485-2 | 1" x 2" (for Romaine) |
| 55924   | 1/2" x 1/2" Square    |
| 55821   | 2" x 2" Square        |
| 55485-6 | 3/4" x 3/4" Square    |
| 55882   | 3/8" Slices           |

### Replacement Blade Sets

|           |                       |
|-----------|-----------------------|
| 55470     | 1" x 1" Square        |
| 55521     | 1/2" Slices           |
| 55470-2BR | 1" x 2" (for Romaine) |
| 55923     | 1/2" x 1/2" Square    |
| 55822     | 2" x 2" Square        |
| 55470-6   | 3/4" x 3/4" Square    |

## Dimensions

|                       |                 |
|-----------------------|-----------------|
| Equipment (w x d x h) | 13" x 18" x 20" |
| Shipping Weight       | 17 lbs          |

Replacement parts are available through Nemco's 24-hour Zip Program.

Nemco reserves the right to make design, specification or model changes without notice.



**nemco** | FOOD EQUIPMENT

Physical Address: Corporate HQ  
301 Meuse Argonne | Hicksville, OH 43526  
800.782.6761 • 419.542.7751 • f: 419.542.6690

### Mailing Address:

PO Box 305 | Hicksville, OH 43526

Nemco West Distribution Center/Test Kitchen  
4300 E Magnolia Street | Phoenix, AZ 85034

[NemcoFoodEquip.com](http://NemcoFoodEquip.com)



Printed 06/22. Printed in the USA.



ONLY FROM

**nemco**<sup>®</sup> | FOOD  
EQUIPMENT

# Easy Wedger™ & Easy Apple Corer™

One stroke, multiple uniform wedges. It's that simple.



Buy once. Buy the original.  
Always look for this mark of quality





# Efficiency's Main Squeeze

No matter how busy your operation might get, this Nemco original keeps up. Solid, stout, simple and super-fast. Welcome to wedging made easy.

## Tough Love

The vertical pusher block design and stay-sharp stainless steel blades combine the necessary brute force with artful finesse for the most efficient way to produce beautiful wedges.

- Easy on the operator and the fruit—works fast with virtually no bruising.
- Centering rods guide the cut for uniform wedges.
- Works so fast, you can cut to order on the spot for optimum freshness.

## Endless Love

The Easy Wedger carries the Nemco durability trademark. Built to last and it pays for itself in no time.

- Compact frame and angled legs optimize stability and keep the pushing force centered on the blades.
- Stainless-steel and aluminum-cast construction takes the punishment of a commercial kitchen.
- The entire unit is incredibly easy to clean.

## Suggested Uses

*The Easy Wedger is ideal for beverage operations. Use it to wedge fresh lemons, limes and oranges. Works great at the salad bar too. Try it with tomatoes, pickles, cucumbers, zucchinis and more.*

## General Specifications

| Model    | Description      |
|----------|------------------|
| 55550-4  | 4-Section Wedge  |
| 55550-6  | 6-Section Wedge  |
| 55550-8  | 8-Section Wedge  |
| 55550-10 | 10-Section Wedge |
| 55550-8C | 8-Section Corer  |

## Optional Accessories

|        |                           |
|--------|---------------------------|
| 428-4  | 4-Section Blade Assembly  |
| 428-6  | 6-Section Blade Assembly  |
| 428-8  | 8-Section Blade Assembly  |
| 428-10 | 10-Section Blade Assembly |
| 490-8  | 8-Section Corer           |

## Dimensions

|                             |                  |
|-----------------------------|------------------|
| Equipment (w x d x h)       | 8" x 8" x 19"    |
| Shipping Carton (l x w x h) | 9½" x 9½" x 20½" |
| Equipment Weight            | 4.5 lbs          |
| Shipping Weight             | 6 lbs            |

*Replacement parts are available through Nemco's 24-hour Zip Program.*

*Nemco reserves the right to make design, specification or model changes without notice.*



## Core Competency

*Nemco's Easy Apple Corer #55550-8C has all the advantages of the Easy Wedger, with the addition of a middle pin that easily removes the core. Great for apples and pears.*



**nemco** | FOOD EQUIPMENT

Physical Address: Corporate HQ  
301 Meuse Argonne | Hicksville, OH 43526  
800.782.6761 • 419.542.7751 • f: 419.542.6690

## Mailing Address:

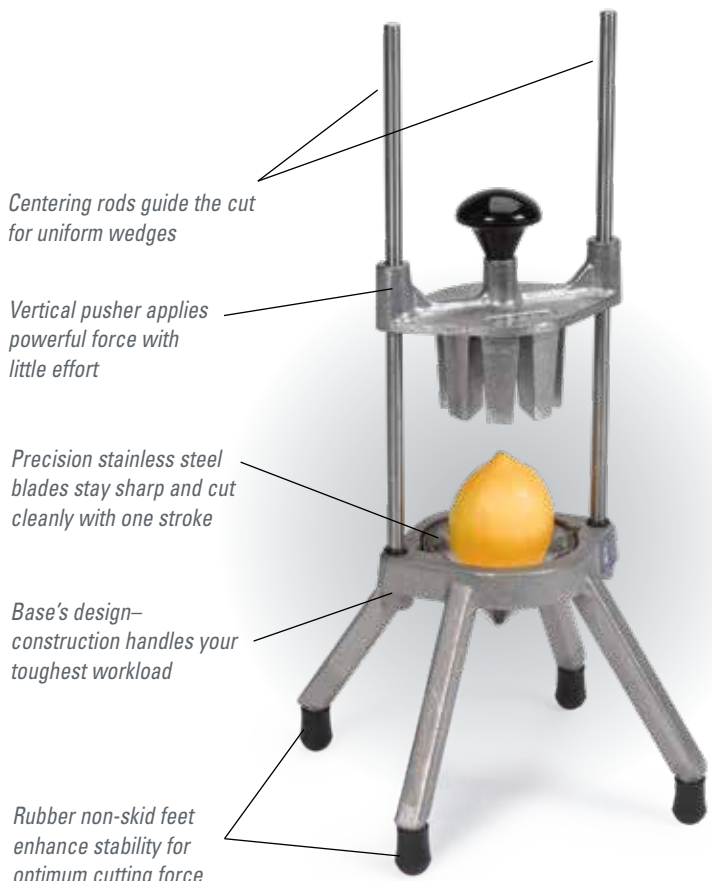
PO Box 305 | Hicksville, OH 43526

Nemco West Distribution Center/Test Kitchen  
4300 E Magnolia Street | Phoenix, AZ 85034

[NemcoFoodEquip.com](http://NemcoFoodEquip.com)



Printed 4/19. Printed in the U.S.A.



Centering rods guide the cut for uniform wedges

Vertical pusher applies powerful force with little effort

Precision stainless steel blades stay sharp and cut cleanly with one stroke

Base's design—construction handles your toughest workload

Rubber non-skid feet enhance stability for optimum cutting force

ONLY FROM

**nemco**<sup>®</sup> | FOOD  
EQUIPMENT

# Easy Slicer™ Vegetable Slicer

The only tool you'll need to slice fresh produce with  
incredible speed and precision.



Buy once. Buy the original.  
**Always look for this mark of quality**





# Turns Every Kitchen Novice Into a Slicing Master



Name your vegetable or fruit and put anyone, even your most inexperienced kitchen personnel, on the job, and you'll get slicing perfection. Nemco makes it easy—fast, precise and consistent, every time.

## Fast as Lightning, Without the Electricity

How many seasoned pros do you have in your kitchen who are sharp with a knife? With Nemco, it doesn't matter, because the Easy Slicer makes it possible for anyone to perfectly slice a vegetable in seconds—or a 10-lb. bag of potatoes in just minutes.

The best part is, with no electric power needed, the Easy Slicer's simple engineering and manual operation deliver reliable performance virtually anywhere in the kitchen.

## Incredibly Versatile

The Easy Slicer features an exclusive visual thickness gauge, calibrated in  $\frac{1}{16}$ " increments up to  $\frac{1}{2}$ ", allowing the operator to preset the desired thickness with a simple thumb-screw control. (Also available in fixed-slice thickness models.)

Every slice in the rapid-fire cutting action that ensues is the perfect thickness, consistently all the way through the food item, for exceptional portion control and presentation, with virtually no waste.

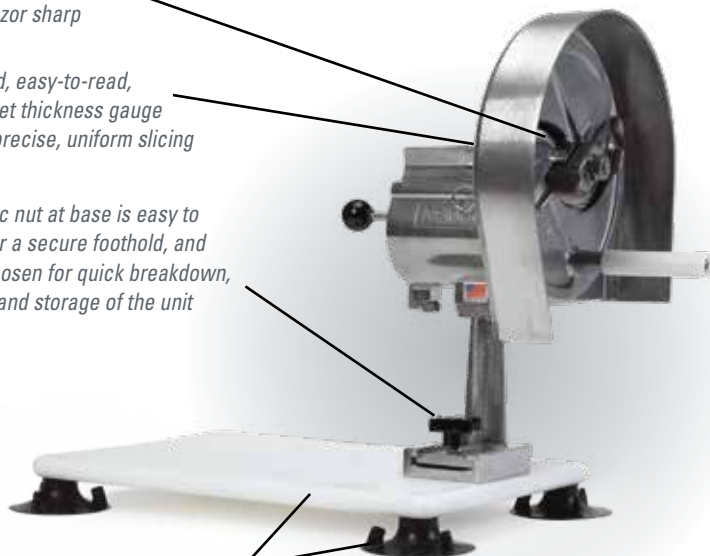
## Easy to Use, Easy to Clean

Just place your produce in the trough behind the blade and start turning the easy-action handle. It's nearly effortless. Plus, disassembly is easy for cleaning, while the cast aluminum components wash up in a snap and last for years.

Stainless steel blades remain razor sharp

Calibrated, easy-to-read, easy-to-set thickness gauge ensures precise, uniform slicing

Ergonomic nut at base is easy to tighten for a secure foothold, and easy to loosen for quick breakdown, cleaning and storage of the unit



Optional portable food-prep base is equipped with a mounting bracket that fits the Easy Slicer and other food-prep products. Suction-cup feet provide incredible stability

## Suggested Uses

The Easy Slicer is the do-it-all device for salad bars, sandwiches, pizza toppings and more. Quickly and effortlessly slice peppers, lettuce, cucumbers and other firm veggies, or lemons, limes and other fruits—even strawberries and mushrooms.

## General Specifications

| Model     | Description                | Replacement Blades |
|-----------|----------------------------|--------------------|
| 55200AN   | Adjustable Cut             | 55135 (set of 2)   |
| 55200AN-B | w/Portable Base            | 55135 (set of 2)   |
| 55200AN-4 | $\frac{1}{8}$ " Fixed Cut  | 55135 (set of 2)   |
| 55200AN-6 | $\frac{3}{16}$ " Fixed Cut | 55135 (set of 2)   |
| 55200AN-8 | $\frac{1}{4}$ " Fixed Cut  | 55135 (set of 2)   |
| 55200AN-1 | $\frac{3}{16}$ " Shredder  | 55178              |
| 55200AN-2 | $\frac{5}{16}$ " Shredder  | 55179              |

## Optional Accessories

|         |                                  |
|---------|----------------------------------|
| 55257   | Sharpening Stone                 |
| 55263-1 | $\frac{3}{16}$ " Shredder Plates |
| 55263-2 | $\frac{5}{16}$ " Shredder Plates |
| 55816   | Portable Base                    |

## Dimensions

|                             |                                |
|-----------------------------|--------------------------------|
| Equipment (w x d x h)       |                                |
| with handle out             | 21" x 11" x 16"                |
| with handle in              | 12 $\frac{1}{2}$ " x 11" x 16" |
| Shipping Carton (l x w x h) | 18" x 13" x 14"                |
| Blade Plate Diameter        | 9 $\frac{1}{4}$ "              |
| Equipment Weight            | 8.5 lbs                        |
| Shipping Weight             | 13 lbs                         |

Replacement parts are available through Nemco's 24-hour Zip Program.

Nemco reserves the right to make design, specification or model changes without notice.

Optional shredding plates attach to the Easy Slicer in seconds for quick, easy shredding of cheese, cabbage, carrots and other foods.



**nemco**® | FOOD EQUIPMENT

Physical Address: Corporate HQ  
301 Meuse Argonne | Hicksville, OH 43526  
800.782.6761 • 419.542.7751 • f: 419.542.6690

Mailing Address:  
PO Box 305 | Hicksville, OH 43526

Nemco West Distribution Center/Test Kitchen  
4300 E Magnolia Street | Phoenix, AZ 85034

[NemcoFoodEquip.com](http://NemcoFoodEquip.com)



Printed 11/19. Printed in the USA.

ONLY FROM

**nemco**<sup>®</sup> | FOOD  
EQUIPMENT

# Easy Chopper™

The fast, easy way to chop fresh vegetables!



Buy once. Buy the original.  
**Always look for this mark of quality**





# Your Veggies Won't Know What Hit 'Em

Fast, clean, beautiful chopping has never been so effortless. The original Easy Chopper™ makes quick work of onions, tomatoes, potatoes, celery, peppers and a whole host of other vegetables, so you can just get to cookin'.

## Easy to Use

Light and portable, but tough and stable, the Easy Chopper sets up for business virtually anywhere you need it to be on the counter. And the ergonomic handle is weighted to maximize downward force, taking the labor out of the process, so it's easier on the operator.

Four super-sharp cutting grids—1/4", 3/8", 1/2" and 1"—are available as interchangeable blade assemblies that can switch in and out in a snap.

## Easy to Maintain

Smart and efficient in its simple design, the Easy Chopper disassembles easily for cleaning. And the National Sanitation Foundation (NSF) listing ensures that it's manufactured in compliance with sanitation standards.

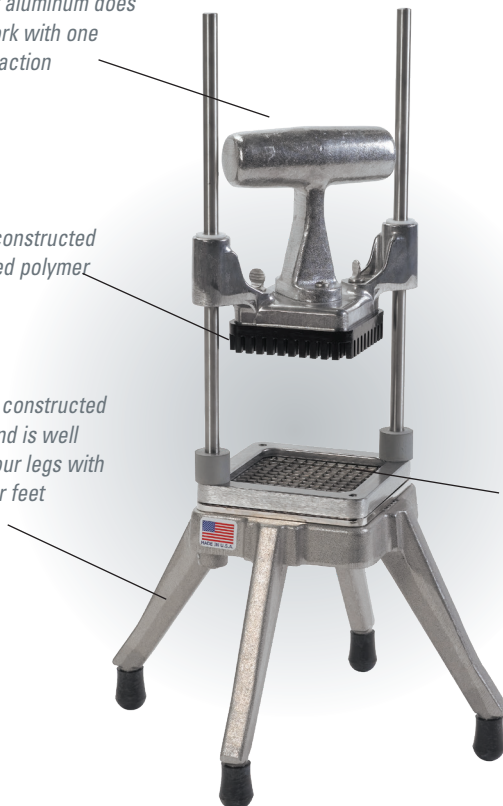
## Built to Last

Like all Nemco products, the Easy Chopper is designed, engineered and built to provide years of reliable service. Its stainless steel and aluminum-cast construction holds up to the meanest day-in, day-out use.

*The fast, efficient way to chop—comfortable, weighted handle constructed of aluminum does most of the work with one stroke cutting action*

*Push block is constructed from engineered polymer*

*Sturdy base is constructed of aluminum and is well balanced on four legs with non-slip rubber feet*



*Precision cuts! 300-series stainless-steel blades stay sharp to cut cleanly with one stroke*



## Suggested Uses

*Use for fast, easy chopping, cutting and dicing of onions, tomatoes, potatoes, celery, peppers and other firm vegetables. Great for wedging citrus and other fruits using the wedger kit.*

## General Specifications

| Model   | Description           |
|---------|-----------------------|
| 55500-1 | 1/4" Cut Easy Chopper |
| 55500-2 | 3/8" Cut Easy Chopper |
| 55500-3 | 1/2" Cut Easy Chopper |
| 55500-4 | 1" Cut Easy Chopper   |

## Optional Accessories

|         |                         |
|---------|-------------------------|
| 55727-4 | 4-Section Wedger Kit    |
| 55727-6 | 6-Section Wedger Kit    |
| 55727-8 | 8-Section Wedger Kit    |
| 55424-1 | 1/4" Cut Blade Assembly |
| 55424-2 | 3/8" Cut Blade Assembly |
| 55424-3 | 1/2" Cut Blade Assembly |
| 55424-4 | 1" Cut Blade Assembly   |

## Dimensions

|                             |                           |
|-----------------------------|---------------------------|
| Equipment (w x d x h)       | 8" x 8" x 19"             |
| Shipping Carton (l x w x h) | 9 1/2" x 9 1/2" x 20 1/2" |
| Equipment Weight            | 6 lbs                     |
| Shipping Weight             | 8 lbs                     |

*Replacement parts are available through Nemco's 24-hour Zip Program.*

*Nemco reserves the right to make design, specification or model changes without notice.*



**nemco**® | FOOD EQUIPMENT

Physical Address: Corporate HQ  
301 Meuse Argonne | Hicksville, OH 43526  
800.782.6761 • 419.542.7751 • f: 419.542.6690

Mailing Address:  
PO Box 305 | Hicksville, OH 43526

Nemco West Distribution Center/Test Kitchen  
4300 E Magnolia Street | Phoenix, AZ 85034

[NemcoFoodEquip.com](http://NemcoFoodEquip.com)

Printed 10/18. Printed in the USA.





ONLY FROM

**nemco**<sup>®</sup> | FOOD  
EQUIPMENT

# Easy Chopper 2™

Chop and slice the BIG veggies with less effort!



Buy once. Buy the original.  
Always look for this mark of quality





# Cost Cutter at LARGE

Like all Nemco manual food prep equipment, the Easy Chopper 2™ takes labor and cost out of your food prep operations. It's fast, efficient, easy to use and easy to clean. Plus, it's safer than a knife—and built to last.

For the freshest menu items and the juiciest profits, put Nemco to work in your kitchen.

## BIG-Time Performance

No more wasted time prepping. Minimal precutting of veggies into smaller portions.

## BIG-Time Versatility

Introducing the industry's only chopping tool that also slices—and now available with wedging kits! Easily interchangeable blade assemblies allow you to perform a multitude of cutting operations with one machine. Chop, slice and wedge in a variety of cut sizes with flawless consistency for beautiful presentation and economical portion control.

## BIG-Time Durability

With a tough, lightweight aluminum construction and high-tension stainless steel blades, the Easy Chopper 2 is designed and built to last in the active commercial kitchen for optimum ROI.

Chopping/wedging blade assemblies and pretensioned slicing blade assemblies.

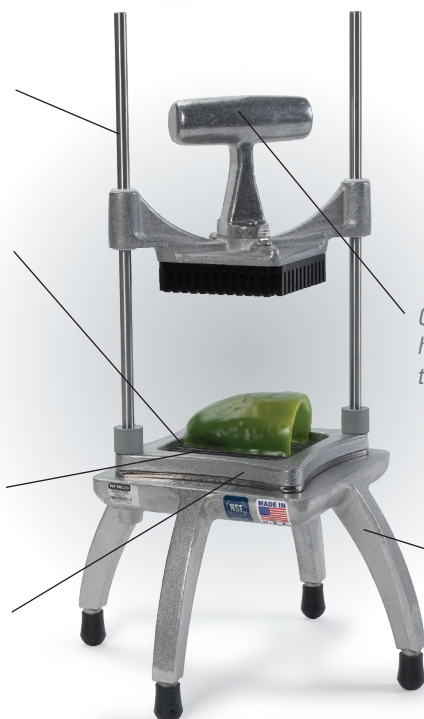


Guide rods add safety and provide consistent application of pressure

Large 4 1/4"-square cutting area takes on large onions and other big veggies

Stainless steel blades stay super-sharp and taut to cut cleanly with one stroke

Easily interchangeable blade grids let you produce multiple cuts and sizes



Comfortable, weighted handle does most of the work

Sturdy base is well balanced on four legs with nonskid feet

## Suggested Uses

*Easy Chopper 2 is THE tool for salsa, pizza toppings, drink garnishes and more. It's ideal for fast, easy chopping, slicing, and dicing of onions, tomatoes, potatoes, celery, peppers and other firm veggies.*

## General Specifications

| Model                       | Description                     |
|-----------------------------|---------------------------------|
| <b>Chopping sizes</b>       |                                 |
| 56500-1                     | 1/4" Sq. Cut                    |
| 56500-2                     | 3/8" Sq. Cut                    |
| 56500-3                     | 1/2" Sq. Cut                    |
| 56500-4                     | 1" Sq. Cut                      |
| <b>Slicing sizes</b>        |                                 |
| 56500-5                     | 1/4" Thick Slice                |
| 56500-6                     | 3/8" Thick Slice                |
| 56500-7                     | 1/2" Thick Slice                |
| <b>Optional Accessories</b> |                                 |
| 56727-4W                    | 4-Section Wedge                 |
| 56727-6W                    | 6-Section Wedge                 |
| 56727-8W                    | 8-Section Wedge                 |
| 56424-1                     | 1/4" Sq. Cut Blade Assembly     |
| 56424-2                     | 3/8" Sq. Cut Blade Assembly     |
| 56424-3                     | 1/2" Sq. Cut Blade Assembly     |
| 56424-4                     | 1" Sq. Cut Blade Assembly       |
| 56424-5                     | 1/4" Thick Slice Blade Assembly |
| 56424-6                     | 3/8" Thick Slice Blade Assembly |
| 56424-7                     | 1/2" Thick Slice Blade Assembly |

## Dimensions

|   |                      |
|---|----------------------|
| Equipment (w x d x h)                                     | 10" x 10" x 20 1/2"* |
| *(height from table surface to top of guide rods)         |                      |
| Shipping Carton (l x w x h)                               | 11" x 11" x 21 1/2"  |
| Equipment Weight  | 9 lbs                |
| Shipping Weight   | 11 lbs               |
| Space between blade block and counter surface (for a pan) | 5"                   |

Replacement parts are available through Nemco's 24-hour Zip Program.

Nemco reserves the right to make design, specification or model changes without notice.



**nemco** | FOOD EQUIPMENT

Physical Address: Corporate HQ  
301 Meuse Argonne | Hicksville, OH 43526  
800.782.6761 • 419.542.7751 • f: 419.542.6690

Mailing Address:  
PO Box 305 | Hicksville, OH 43526

Nemco West Distribution Center/Test Kitchen  
4300 E Magnolia Street | Phoenix, AZ 85034

[NemcoFoodEquip.com](http://NemcoFoodEquip.com)



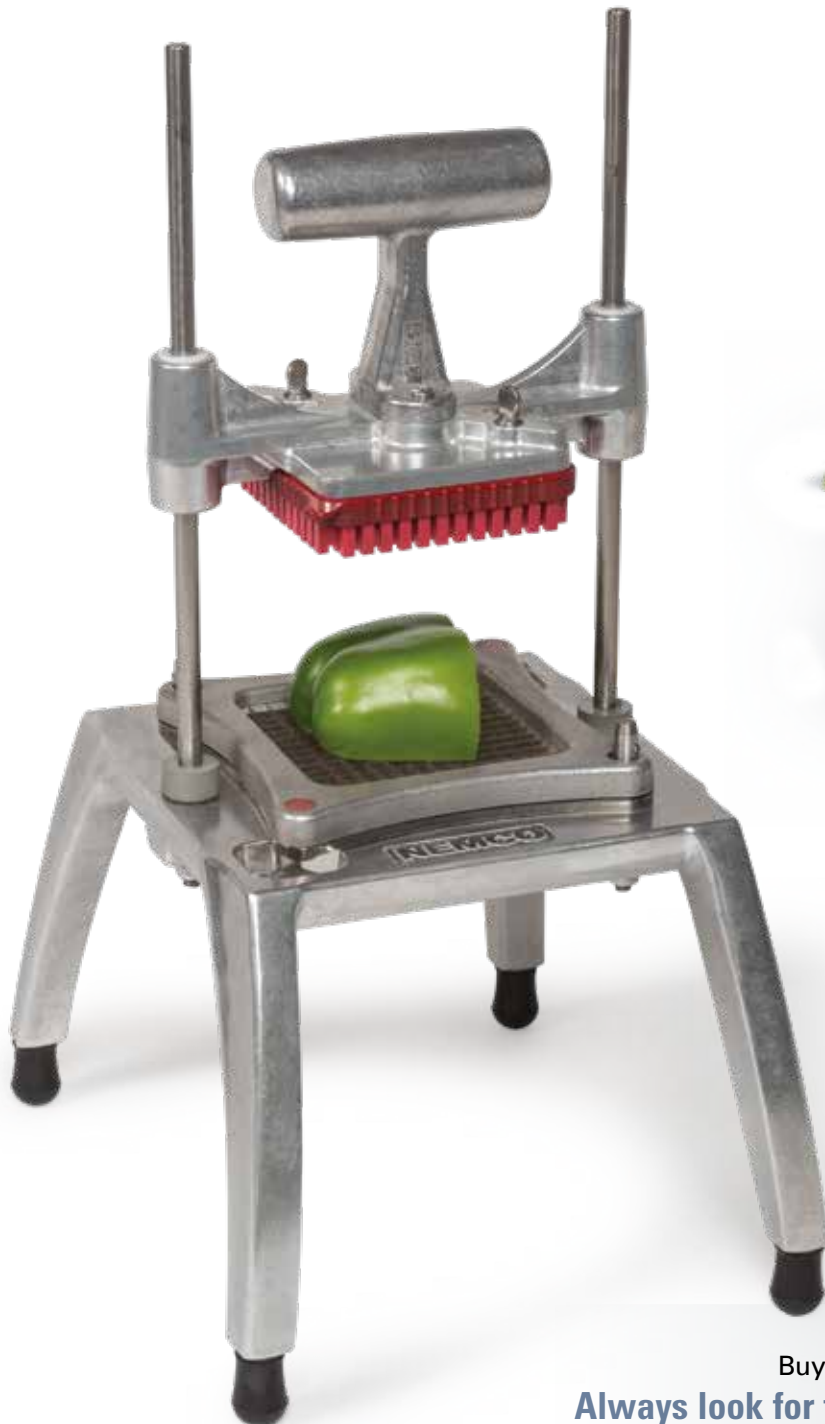
Printed 10/18. Printed in the USA.

ONLY FROM

**nemco**<sup>®</sup> | FOOD  
EQUIPMENT

## Easy Chopper 3™

Take all the performance, versatility and speed of the industry's leading chopper, and make it even more user-friendly for ultimate ROI supremacy!



Buy once. Buy the original.  
Always look for this mark of quality







# Flying Colors!

Chop, slice and wedge faster than ever! Nemco takes one of its most versatile food prep tools to the next level with a number of subtle, but significant, enhancements that are nothing short of breakthroughs in user-friendly design.

## A Champion of Operator Efficiency

Hearing the market's wish list for an even better chopping tool, Nemco has evolved its already popular Easy Chopper yet again, with multiple features the market has never seen before!

- Color-coded blade assemblies and push blocks make correct change-out even faster and easier than before—with less risk of mismatching that can crash the blades and damage the block.
- Revolutionary push-block "gaskets" reduce cleaning the block to nothing more than a pull of two tabs and a wash, rinse and sanitize. Just slip the gasket over its corresponding block before chopping. When done, remove it and pull all the built-up food debris right out. No more digging at the block like a pair of muddy football cleats.
- Engineered nylon-based resin material used to manufacture the push blocks is more durable for longer performance life, reducing the risk of tooth breakage from classic commercial kitchen use or block shavings in the food from accidental blade contact while cutting.
- A higher, wider base can sprawl over a standard 1/3- or 1/6-size six-inch deep food pan, or a two-quart round pan.

## Still Tops in Chopping

Meanwhile, the Easy Chopper 3 maintains all the advantages of its Chopper 2 predecessor, including:

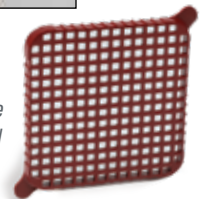
- 4¼"-square cutting area handles the BIG veggies with minimal precutting and is configured to provide a uniform, precise cut size from edge to edge.
- Weighted ergonomic handle and super-sharp blades give even your most inexperienced employees the ability to chop, slice and wedge with elite speed.
- As durable as ever, with commercial-grade aluminum construction and stainless-steel blades.

## Suggested Uses

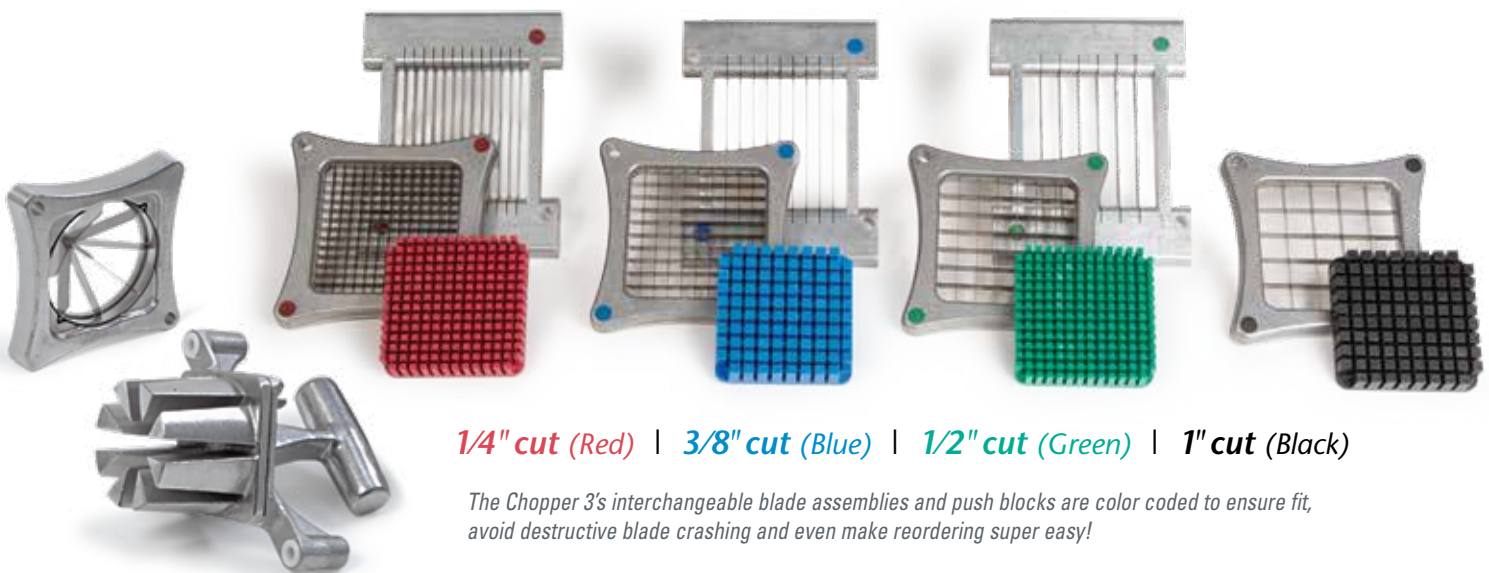
*The Easy Chopper 3 is the all-in-one heavy hitter for fast chopping, slicing and wedging of onions, tomatoes, potatoes, celery, peppers and other firm veggies. It's even the go-to for cutting fresh herbs, like cilantro, basil, parsley and more. It even cuts cooked chicken and ham! This reliable versatility, combined with its user-friendly fringe benefits, makes it the perfect tool for any high-speed kitchen.*



*Nemco's innovative push-block gaskets make cleaning a cinch. Just pull the gasket tabs to remove and clear away all the block's food debris in one simple motion.*



*Patented.*



**1/4" cut (Red) | 3/8" cut (Blue) | 1/2" cut (Green) | 1" cut (Black)**

*The Chopper 3's interchangeable blade assemblies and push blocks are color coded to ensure fit, avoid destructive blade crashing and even make reordering super easy!*

# Chop, Slice and Wedge!

Weighted ergonomic handle is strong on produce, easy on elbows

Push block's nylon-based resin is highly resilient and less prone to suffer impact damage

Color-coded push-block/blade-set tandems simplify changeout, greatly reducing operator error that can cause damaging mismatches

Easily interchanged blade cartridges are completely separate from the guide rods—no need to remove the rod bumpers

Guide rods, fixed to the frame with a Nylok® nut, are easily removed and replaced if bent or damaged

Push block's cleaning gasket made of durable synthetic nylon and easily removed with a simple pull of its two tabs

Stainless-steel blades stay super-sharp and taut for a clean, one-stroke cut, every time

Large 4¼"-square cutting area accommodates the BIG veggies

Cast aluminum frame is light-weight, but extremely durable

Non-slip rubber feet add stability



Tall, sprawling base allows chopped produce to fall straight into a 1/6- or 1/3-size six-inch deep food pan, or a two-quart round pan



## General Specifications

| Model                 | Description      |
|-----------------------|------------------|
| <b>Chopping sizes</b> |                  |
| 57500-1               | 1/4" Sq. Cut     |
| 57500-2               | 3/8" Sq. Cut     |
| 57500-3               | 1/2" Sq. Cut     |
| 57500-4               | 1" Sq. Cut       |
| <b>Slicing sizes</b>  |                  |
| 57500-5               | 1/4" Thick Slice |
| 57500-6               | 3/8" Thick Slice |
| 57500-7               | 1/2" Thick Slice |



## Optional Accessories

| Model        | Description                      |
|--------------|----------------------------------|
| 56275-1      | 1/4" Red Cleaning Gasket, 3-pk   |
| 56275-2      | 3/8" Blue Cleaning Gasket, 3-pk  |
| 56275-3      | 1/2" Green Cleaning Gasket, 3-pk |
| 56275-4      | 1" Black Cleaning Gasket, 3-pk   |
| 57417-1      | Push Block, 1/4" Red             |
| 57418-2      | Push Block, 3/8" Blue            |
| 57417-3      | Push Block, 1/2" Green           |
| 57418-4      | Push Block, 1" Black             |
| 57424-1      | 1/4" Sq. Cut Blade Assembly      |
| 57424-2      | 3/8" Sq. Cut Blade Assembly      |
| 57424-3      | 1/2" Sq. Cut Blade Assembly      |
| 57424-4      | 1" Sq. Cut Blade Assembly        |
| 57424-5      | 1/4" Thick Slice Blade Assembly  |
| 57424-6      | 3/8" Thick Slice Blade Assembly  |
| 57424-7      | 1/2" Thick Slice Blade Assembly  |
| 57424-1-PBG* | 1/4"-Cut Conversion Kit          |
| 57424-2-PBG* | 3/8"-Cut Conversion Kit          |
| 57424-3-PBG* | 1/2"-Cut Conversion Kit          |
| 57424-4-PBG* | 1"-Cut Conversion Kit            |
| 57424-5-PBG* | 1/4"-Slice Conversion Kit        |
| 57424-6-PBG* | 3/8"-Slice Conversion Kit        |
| 57424-7-PBG* | 1/2"-Slice Conversion Kit        |
| 57727-6W     | 6-Section Wedge                  |
| 57727-8W     | 8-Section Wedge                  |

\*Conversion Kit includes blade & holder assembly, push block and cleaning gasket.

## Dimensions

|   |                         |
|---|-------------------------|
| Equipment (w x d x h)<br><small>*(height from table surface to top of guide rods)</small> | 9 3/4" x 12" x 19 1/2"* |
| Shipping Carton (l x w x h)   | 13" x 13" x 22"         |
| Space between blade block and counter surface (for a pan)                                 | 6 1/2"                  |
| Shipping Weight   | 13 lbs                  |
| Actual Weight   | 11 lbs                  |

Replacement parts are available through Nemco's 24-hour Zip Program.

Nemco reserves the right to make design, specification or model changes without notice.



**nemco**® | FOOD EQUIPMENT

Physical Address: Corporate HQ  
301 Meuse Argonne | Hicksville, OH 43526  
800.782.6761 • 419.542.7751 • f: 419.542.6690

### Mailing Address:

PO Box 305 | Hicksville, OH 43526

Nemco West Distribution Center/Test Kitchen  
4300 E Magnolia Street | Phoenix, AZ 85034

[NemcoFoodEquip.com](http://NemcoFoodEquip.com)



Printed 11/19. Printed in the USA.